



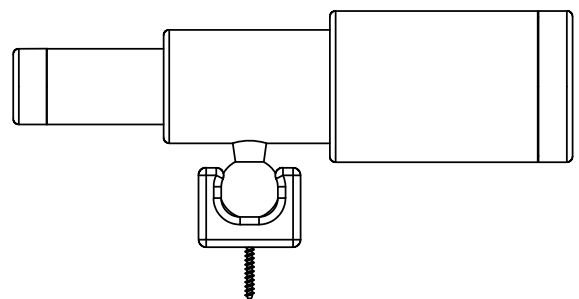
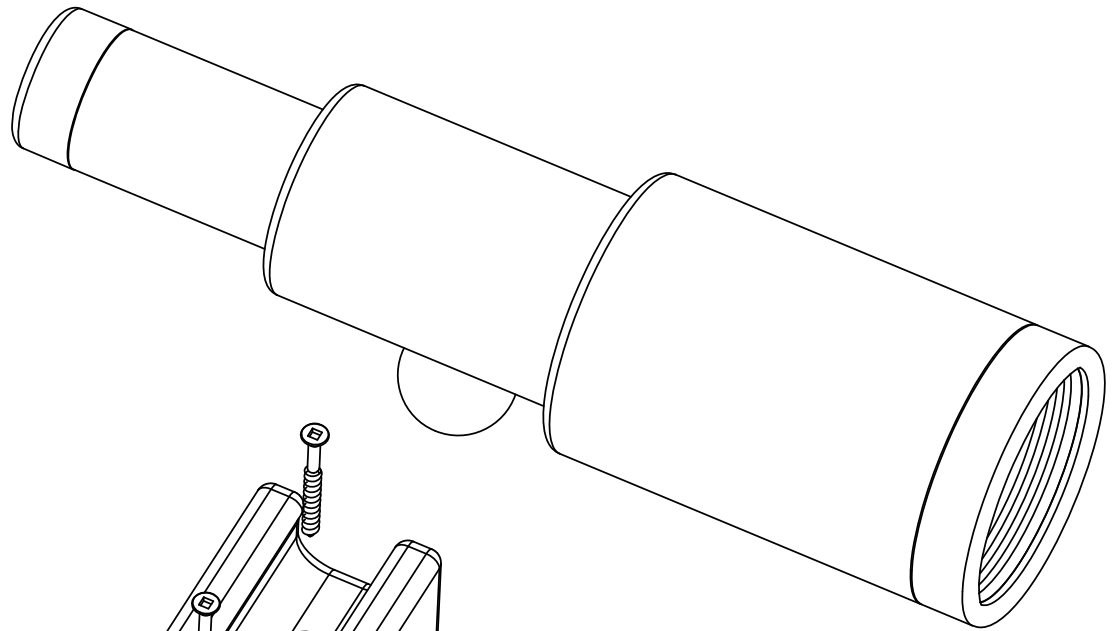
A24503



TELESCOPE

•Attach the Telescope Mount to a wooden structural member greater than 1" thick using the wood screws provided.

•Slide the Telescope through the channel of the Telescope Mount.



2- #8 x 1-1/2" Wood Screw -9260512

1• Telescope Green/Yellow • 3320161