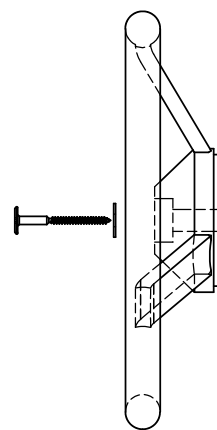
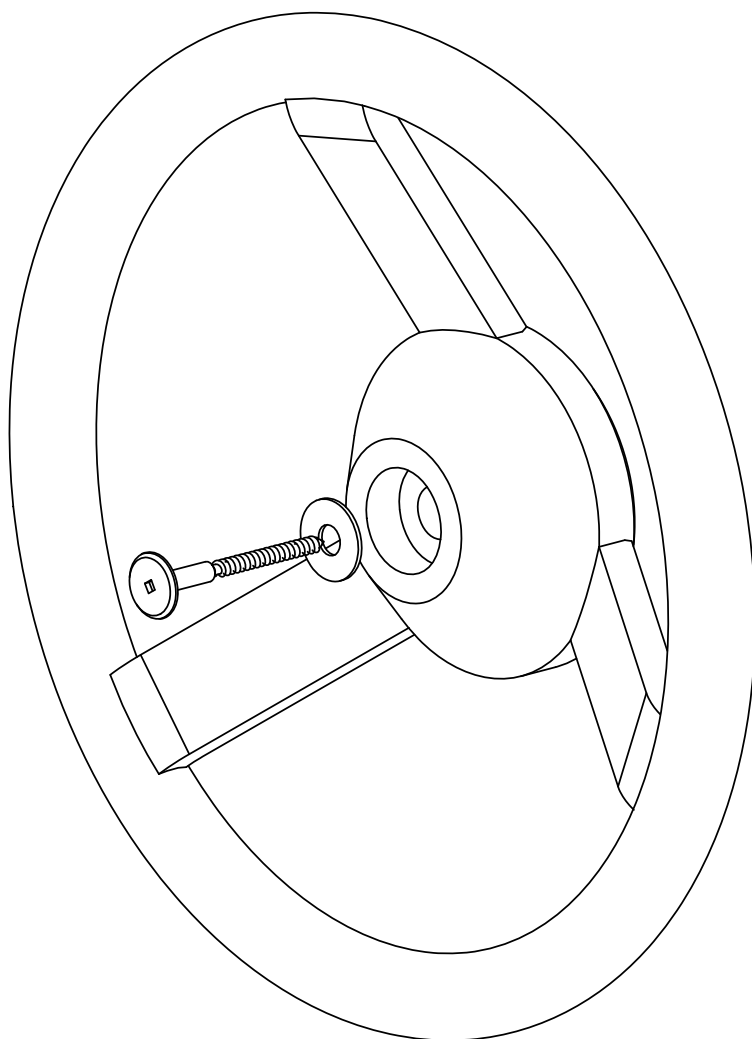


A24500X Steering Wheel

•Attach the Steering Wheel to a wooden structural member greater than 2" thick using the hardware provided.



1• Steering Wheel

1• 1/4 x 3" Lag Screw

1• 1/4" Flat Washer