



Nantucket Toddler Table

Assembly Instructions

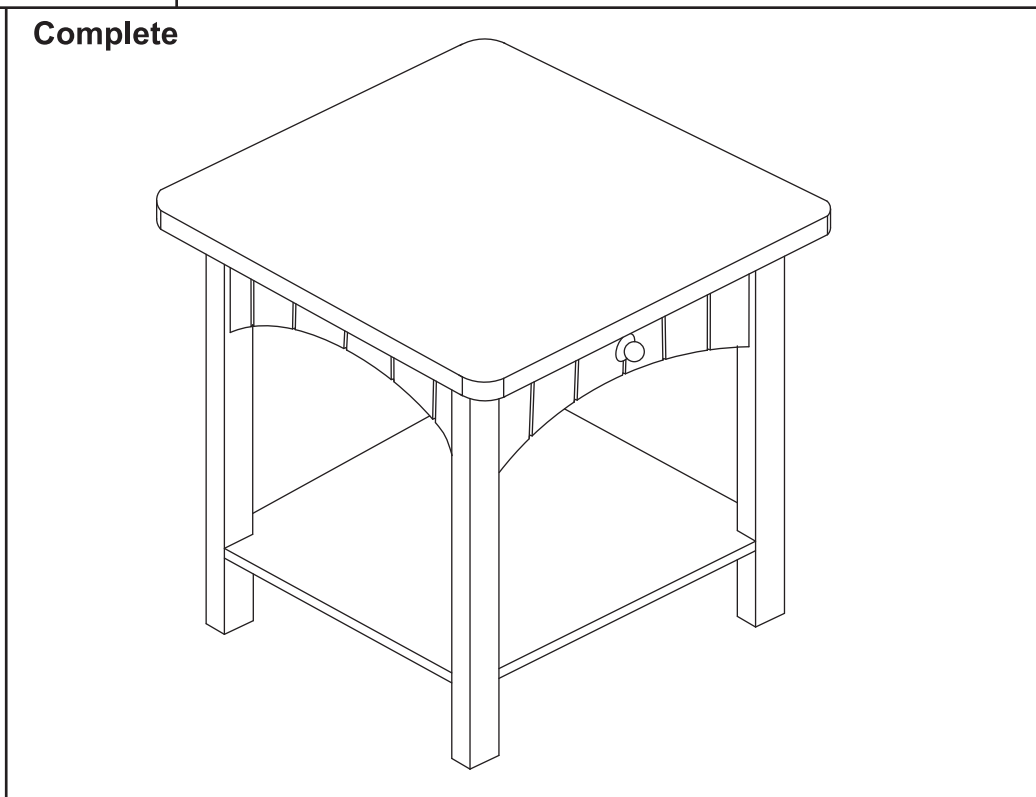
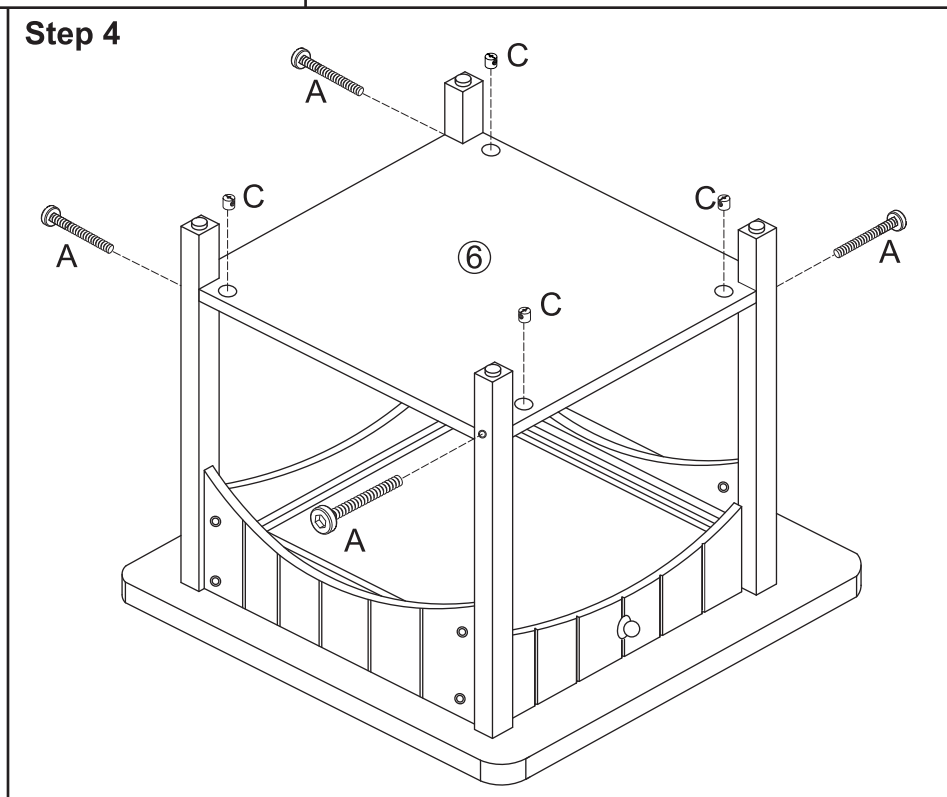
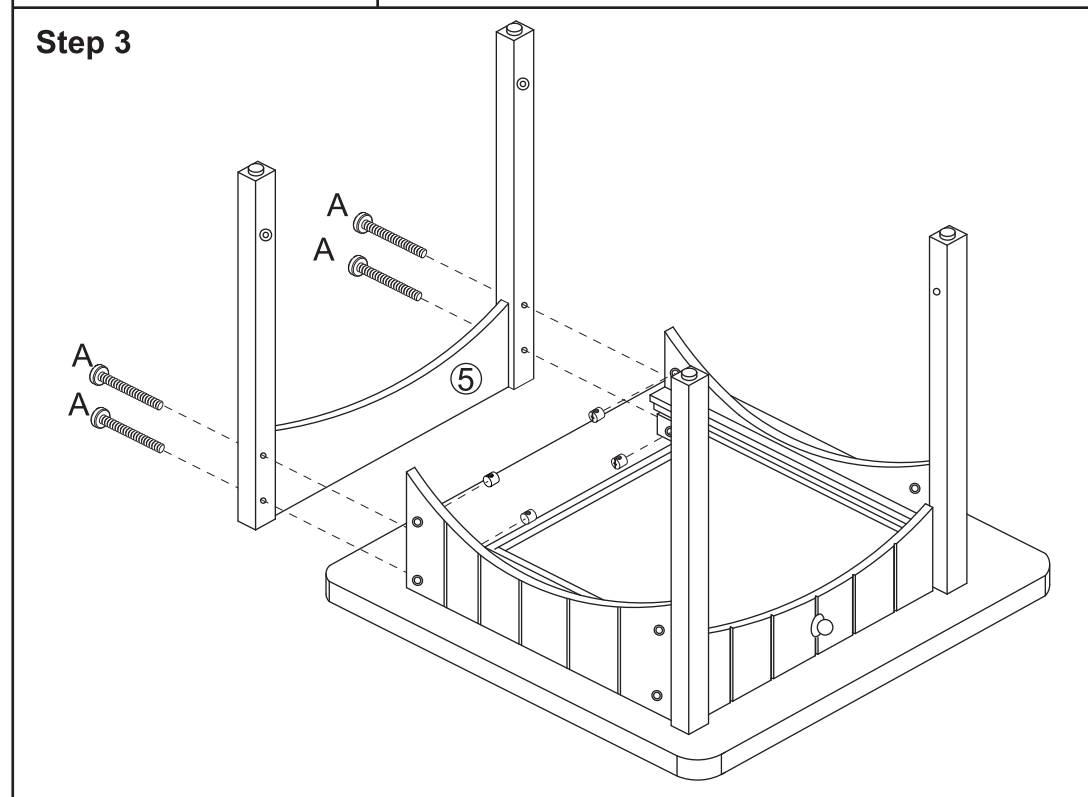
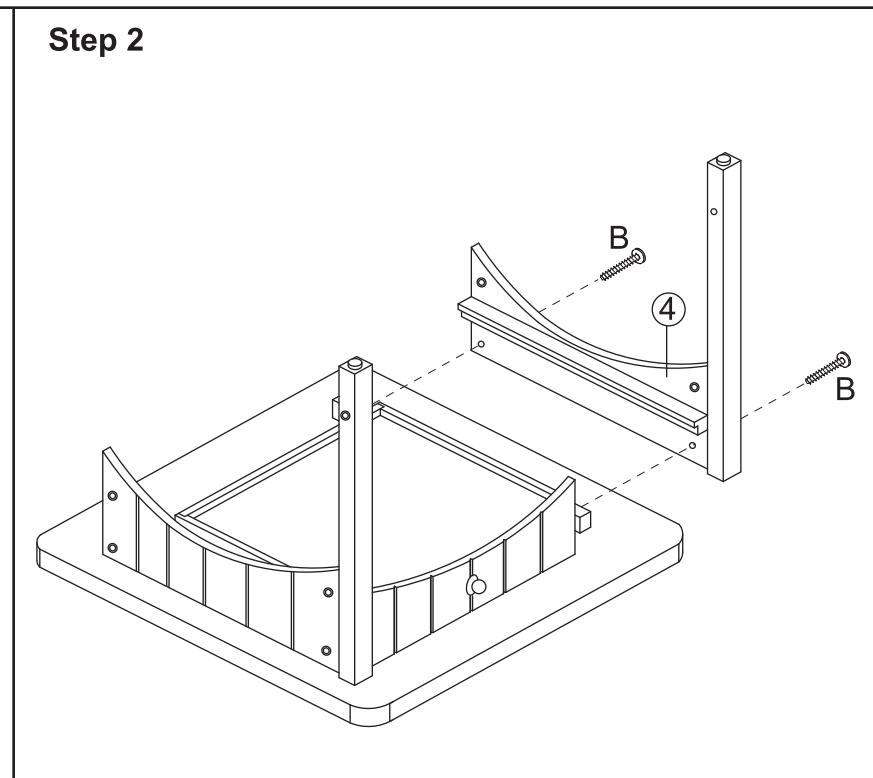
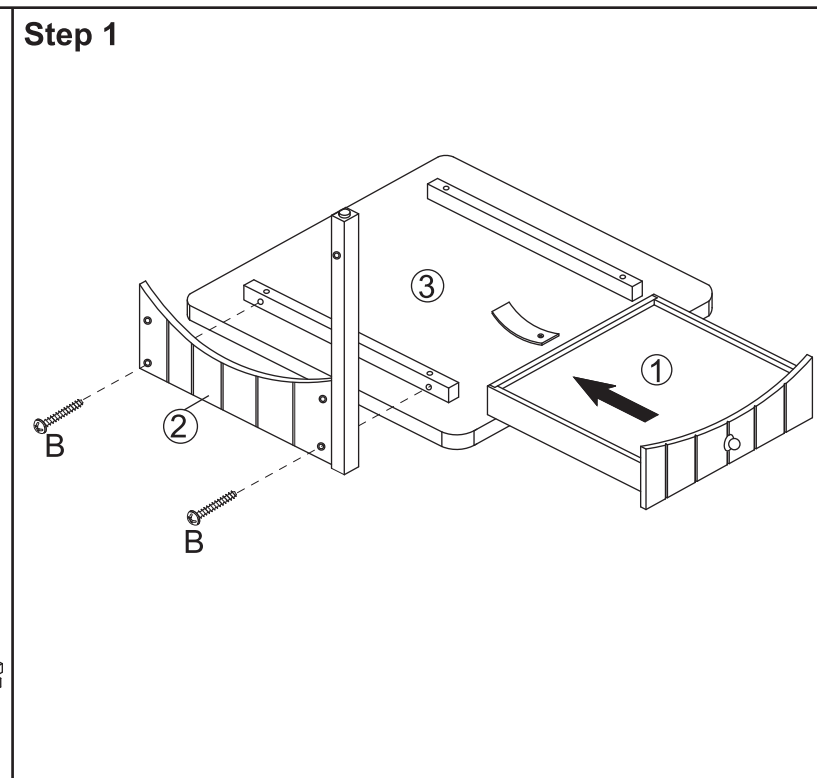
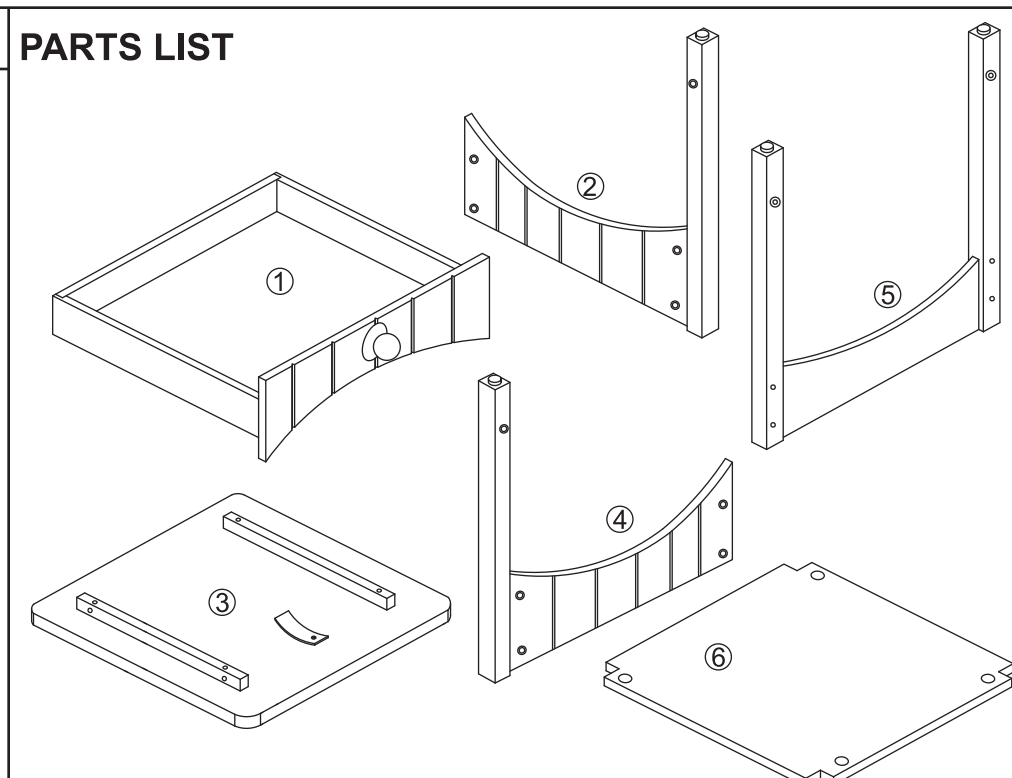
Item #86624A

© 2007 KidKraft, LP

Please retain this information for future reference

To order replacement parts, please visit www.kidkraft.com

- HARDWARE**
- A. White Cross Dowel Bolt x 8 pcs
(2 1/16, 53mm)
 - B. White Screw x 4 pcs
(3/4, 18mm)
 - C. Cross Dowel Nut x 8 pcs
- Allen Wrench x1 pc
- The following tool(not included) is required for assembly:
- Phillips Screwdriver



⚠ WARNING:
ADULT ASSEMBLY REQUIRED. Product includes small parts with potentially hazardous sharp points and sharp edges in the unassembled state. Keep unassembled parts away from children.

USE AND MAINTENANCE:
-Use on level surfaces only
-Please check assembly at regular intervals, and frequently tighten hardware if necessary. If maintenance is not carried out, the product could cease to function properly.

⚠ WARNING:
CHOKING HAZARD. Small parts and sharp points, not suitable for children under 3 years.

Before calling customer service, please locate the batch code number (example: 2693/65006/04) found on the bottom or back of your product.

Customer Service
1-800-933-0771
www.kidkraft.com