



Retro Stove Unit Assembly Instructions

Item # L0781PIN
Item # L0781RED

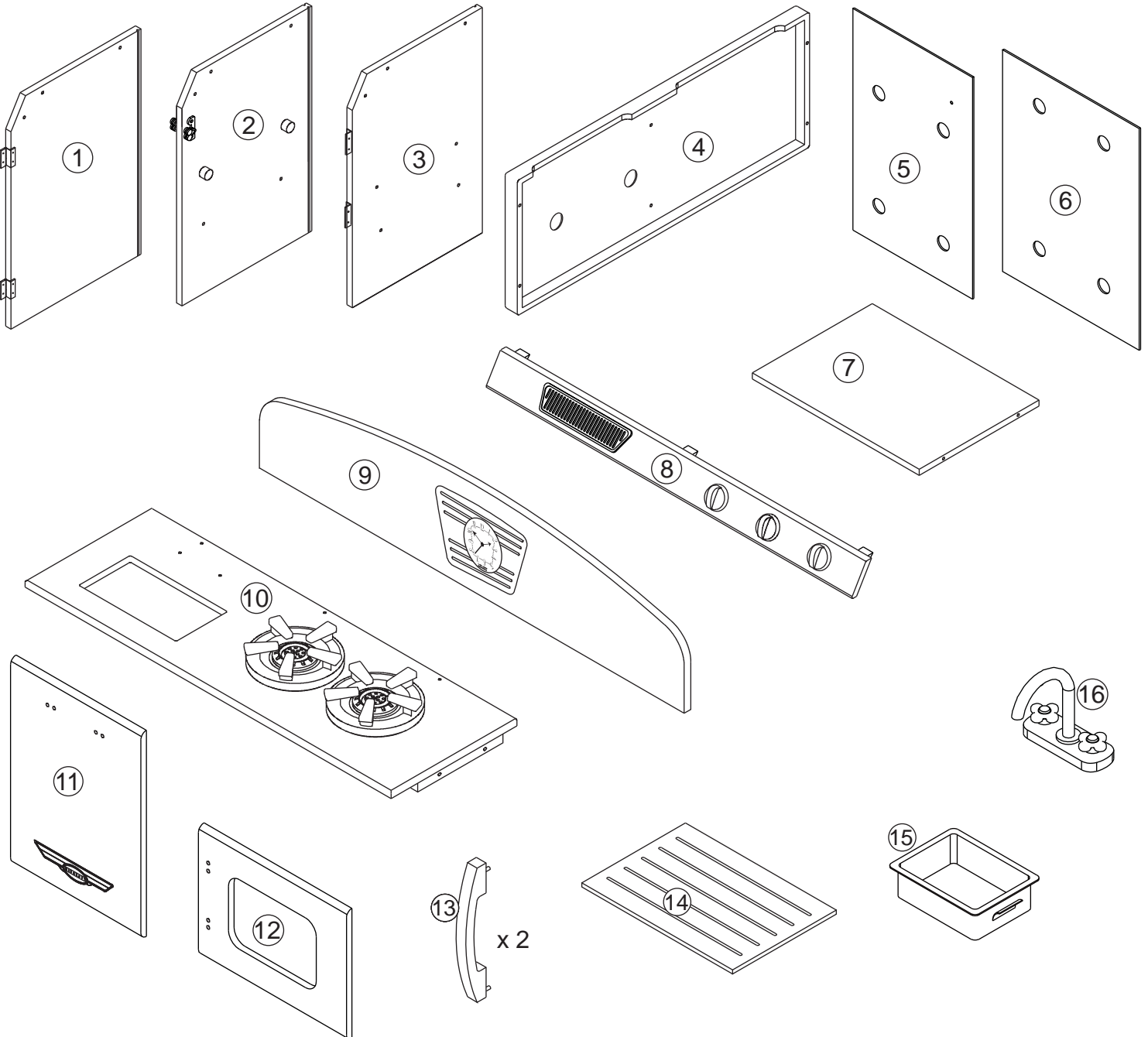
Imported by: G.L.T.C. Ltd
47 Castle Street
Reading
Berkshire
RG1 7SR
UK



© 2011 KidKraft, LP

Please retain this information for future reference

PARTS LIST:



WASH ALL FOOD/DRINK PLAYTHINGS THOROUGHLY BEFORE USE.
NOT DISHWASHER, OVEN OR MICROWAVE SAFE.

⚠ CAUTION:
ADULT ASSEMBLY REQUIRED. Hardware contains small screws with sharp points. Keep unassembled parts out of the reach of small children.

⚠ WARNING:
If used improperly, your kitchen may be pulled over or fall, creating risk of injury or damage. To minimize this risk, we recommend that you use the enclosed wall anchor kit, which gives you the option of attaching the kitchen to a wall. In addition, children should not be permitted to climb or pull on the kitchen.

USE AND MAINTENANCE:
-Use on level surfaces only
-Please check assembly at regular intervals, and frequently tighten hardware if necessary. If maintenance is not carried out, the product could cease to function properly.

⚠ WARNING:
CHOKING HAZARD. Small parts and sharp points, not suitable for children under 3 years.



Retro Stove Unit Assembly Instructions

Item # L0781PIN









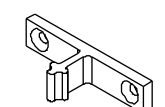


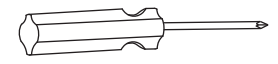
Item # L0781RED

Imported by: G.L.T.C. Ltd
47 Castle Street
Reading
Berkshire
RG1 7SR
UK

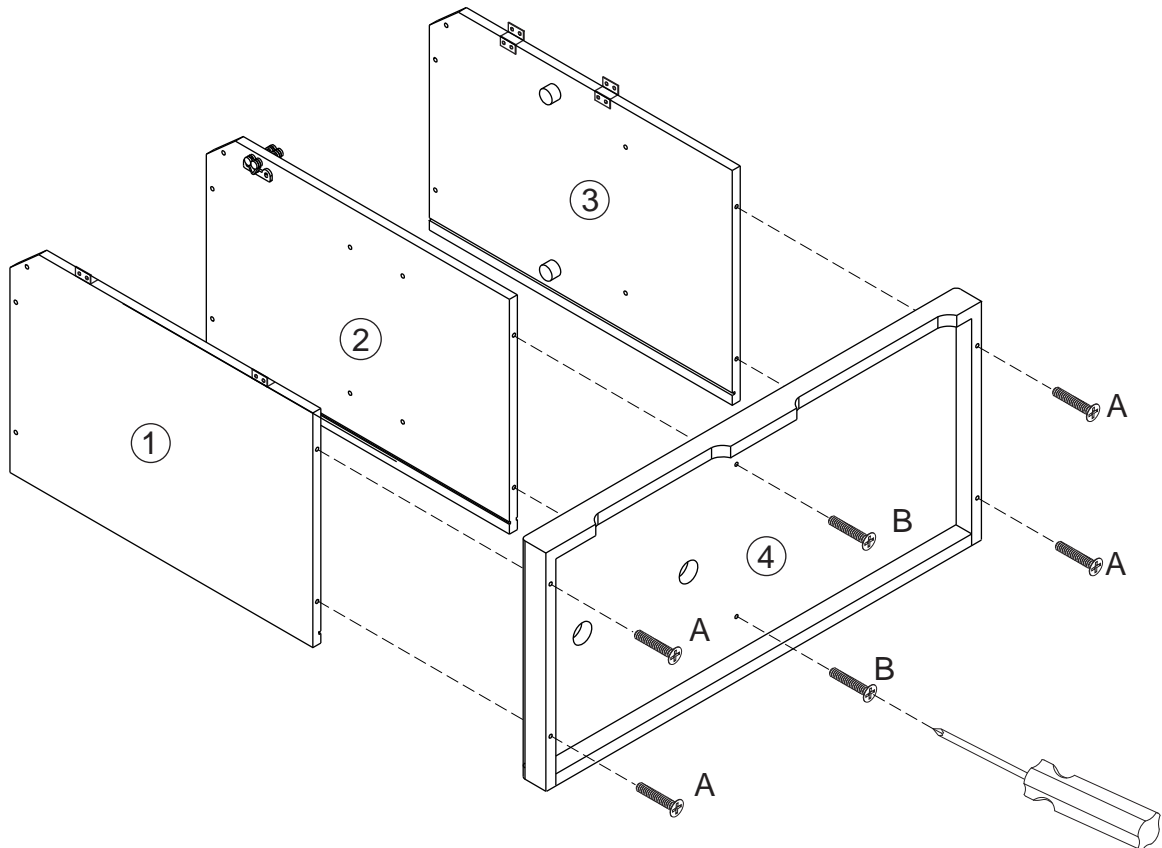


© 2011 KidKraft, LP

Please retain this information for future reference

HARDWARE		
<p>A. Large Screw x 4 pcs</p>  <p>1 9/16 in / 40 mm</p> <p>B. Screw x 2 pcs</p>  <p>1 3/16 in / 30 mm</p> <p>C. Screw x 17 pcs</p>  <p>1 in / 25 mm</p> <p>D. Screw x 8 pcs</p>  <p>5/16 in / 8 mm</p>	<p>E. Hex Bolt x 2 pcs</p>  <p>1 1/8 in / 28 mm</p> <p>F. Cross Dowel Bolt x 3 pcs</p>  <p>2 1/4 in / 58 mm</p> <p>G. Cross Dowel Nut x 3 pcs</p>  <p>H. Short Screw x 4 pcs</p>  <p>3/8 in / 10 mm</p>	<p>I. Latch x 2 pcs</p>  <p>J. Washer x 2 pcs</p>  <p>Allen Wrench x 1 pc</p>  <p>The following tool (not included) is required for assembly:</p>  <p>Phillips® screwdriver</p>

Step 1





Retro Stove Unit Assembly Instructions

Item # L0781PIN

Item # L0781RED

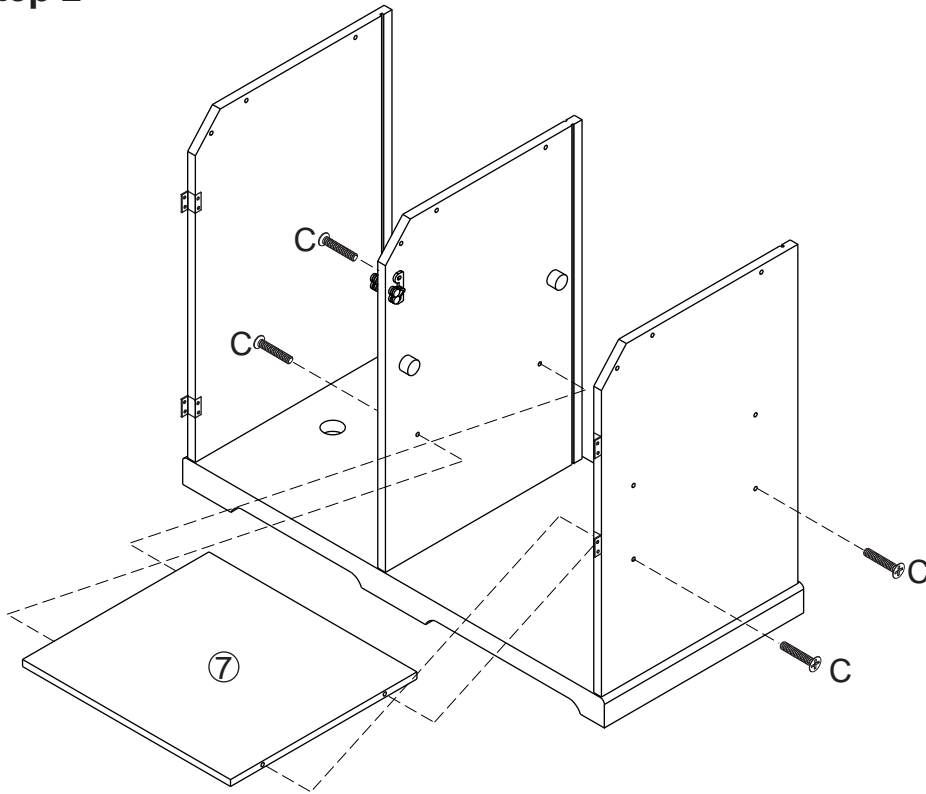
Imported by: G.L.T.C. Ltd
47 Castle Street
Reading
Berkshire
RG1 7SR
UK



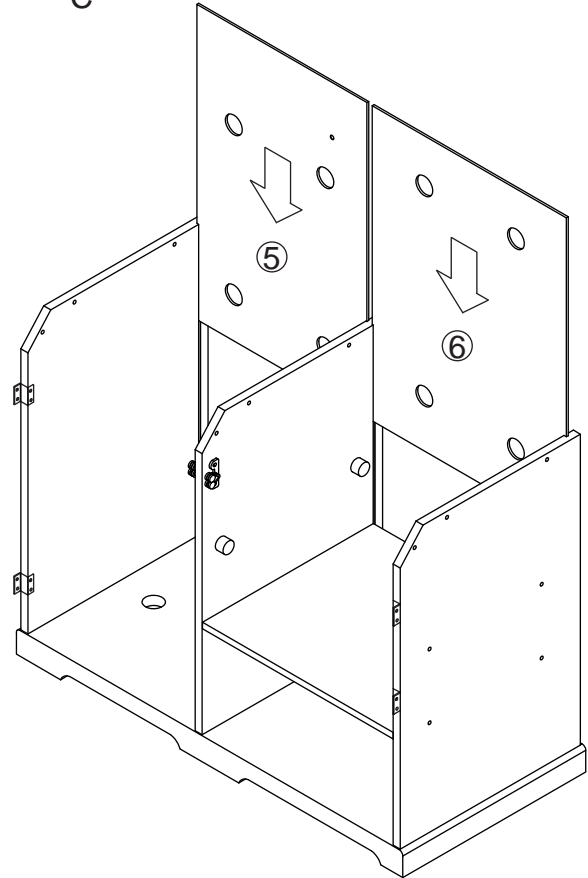
© 2011 KidKraft, LP

Please retain this information for future reference

Step 2



Step 3





Retro Stove Unit Assembly Instructions

Item # L0781PIN

Item # L0781RED

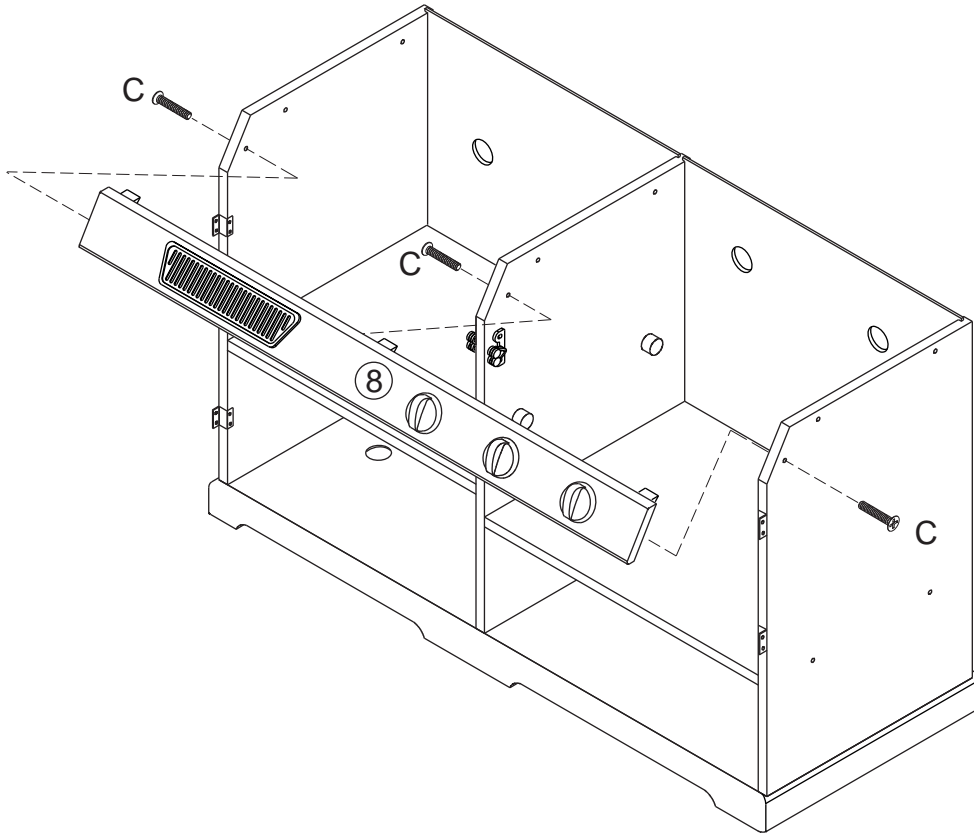
Imported by: G.L.T.C. Ltd
47 Castle Street
Reading
Berkshire
RG1 7SR
UK



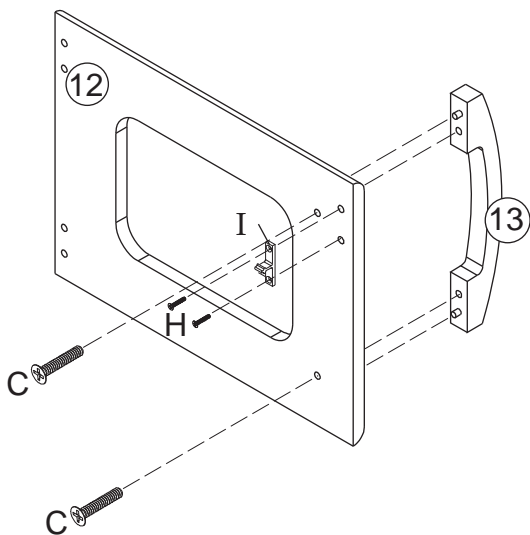
© 2011 KidKraft, LP

Please retain this information for future reference

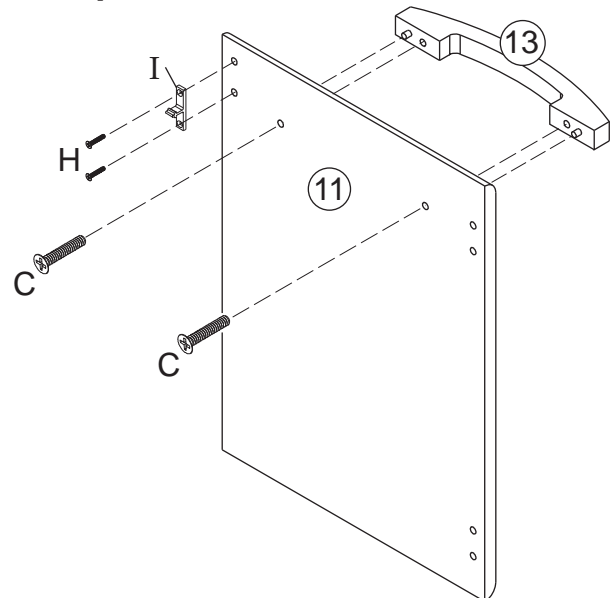
Step 4



Step 5



Step 6





Retro Stove Unit Assembly Instructions

Item # L0781PIN

Item # L0781RED

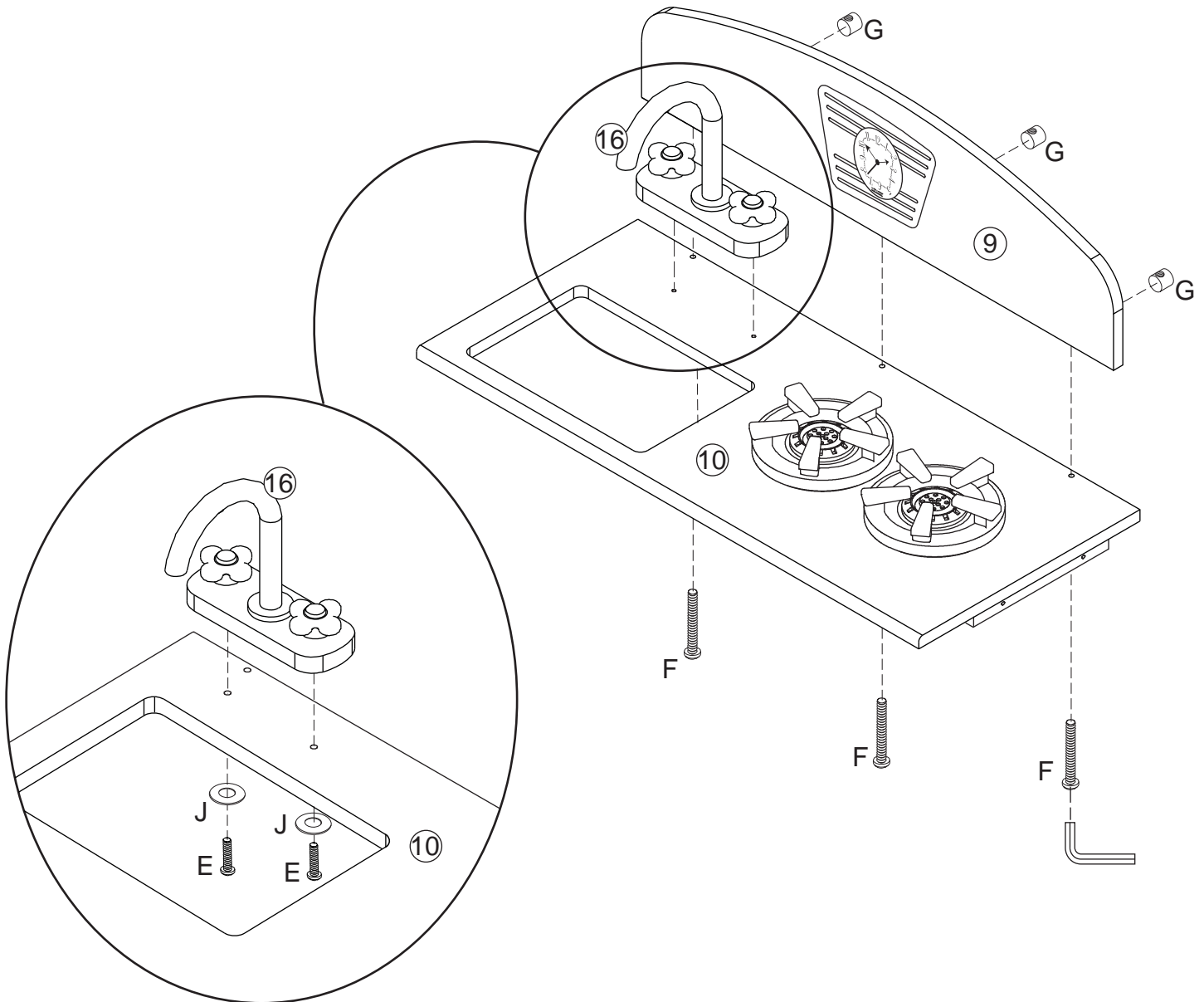
Imported by: G.L.T.C. Ltd
47 Castle Street
Reading
Berkshire
RG1 7SR
UK



© 2011 KidKraft, LP

Please retain this information for future reference

Step 7





Retro Stove Unit Assembly Instructions

Item # L0781PIN

Item # L0781RED

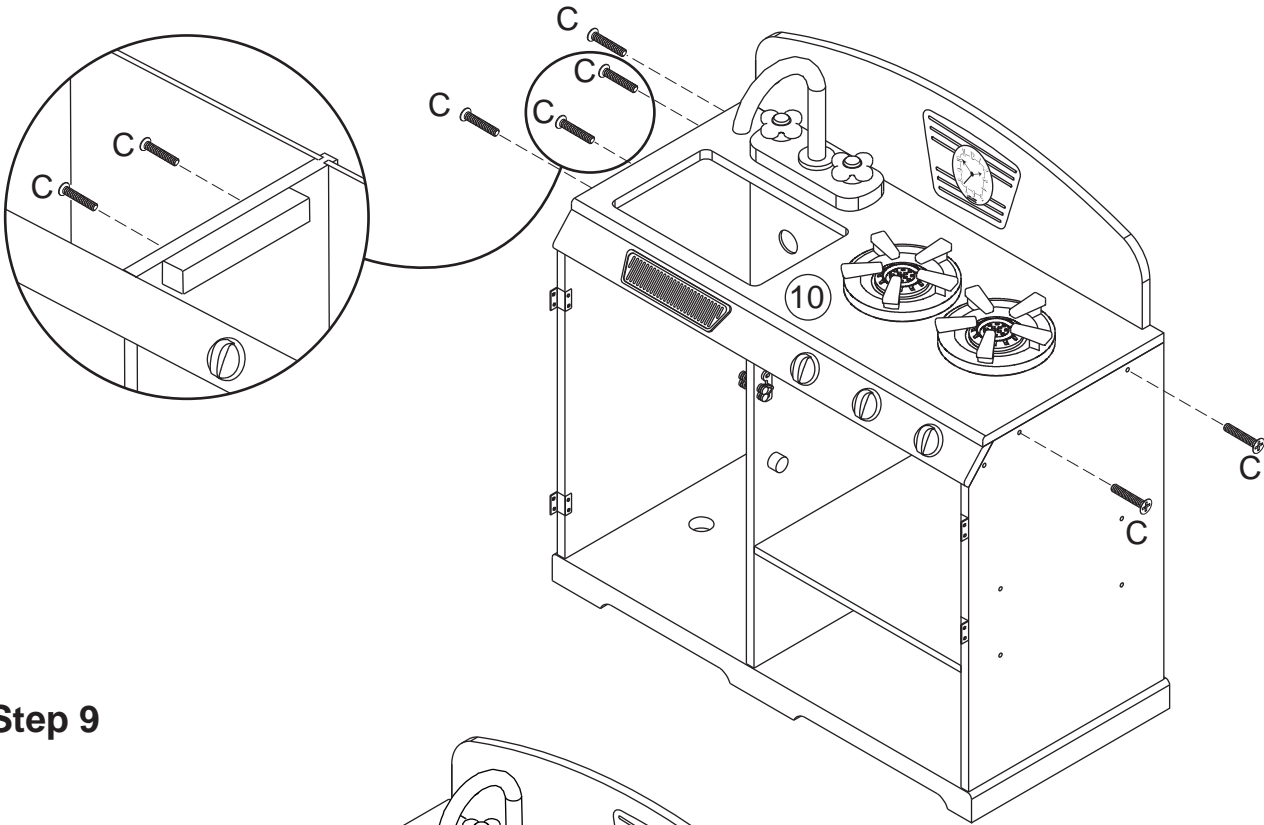
Imported by: G.L.T.C. Ltd
47 Castle Street
Reading
Berkshire
RG1 7SR
UK



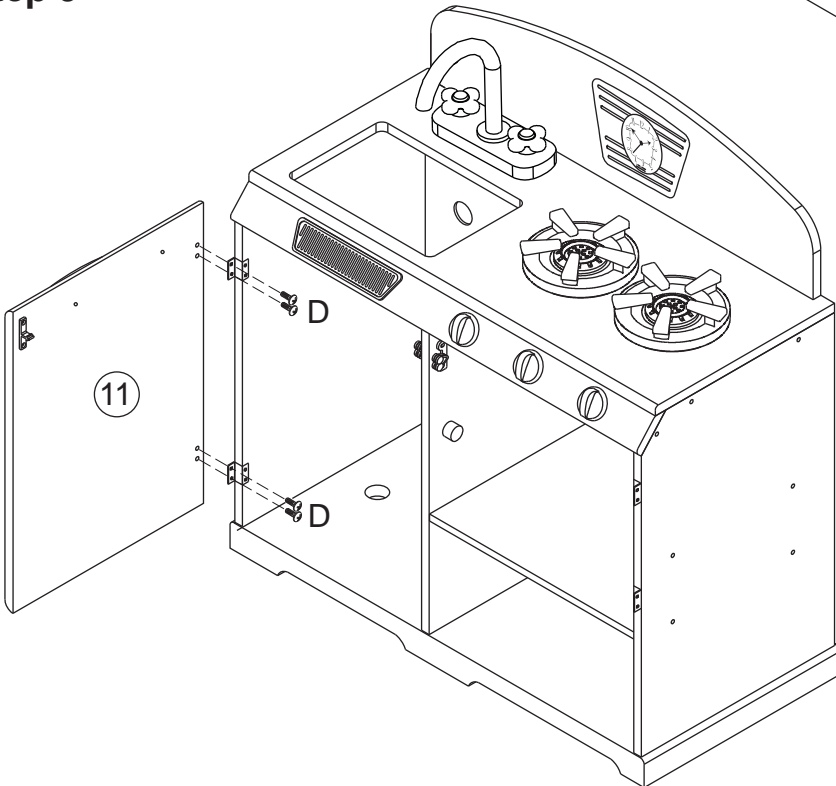
© 2011 KidKraft, LP

Please retain this information for future reference

Step 8



Step 9





Retro Stove Unit Assembly Instructions

Item # L0781PIN

Item # L0781RED

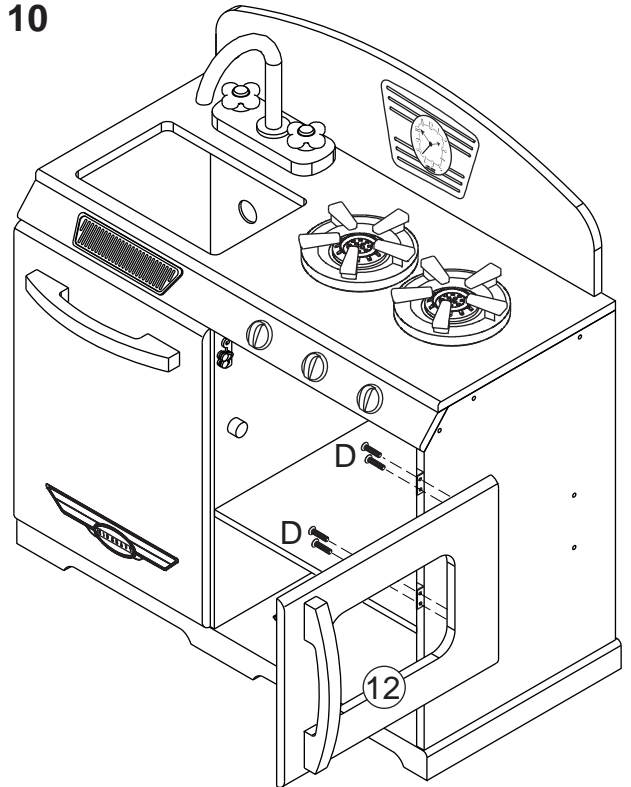
Imported by: G.L.T.C. Ltd
47 Castle Street
Reading
Berkshire
RG1 7SR
UK



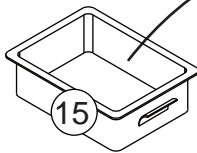
© 2011 KidKraft, LP

Please retain this information for future reference

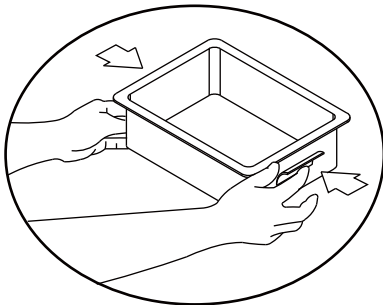
Step 10



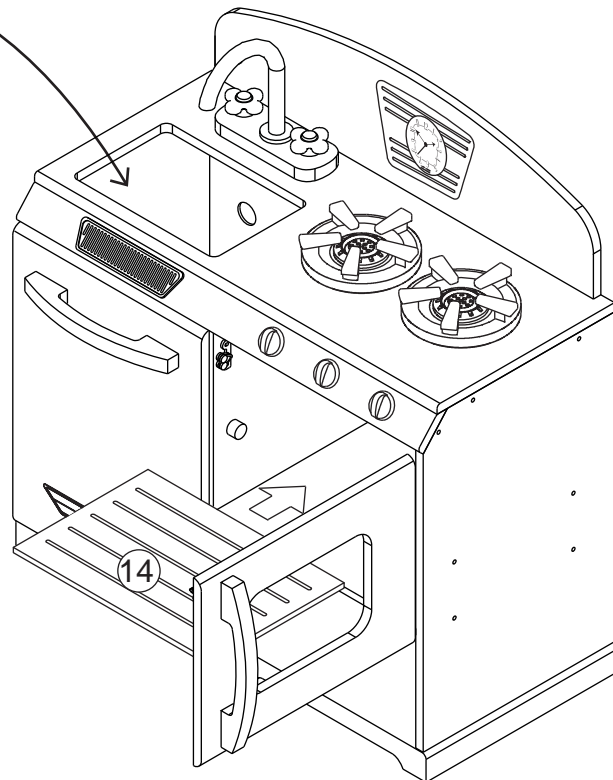
Step 11



Push sink (part 15)
down until it clicks
into place.



To Remove Sink: The sink may
only be removed by an adult.
Hold the tabs and lift through the
hole to release.





Retro Stove Unit Assembly Instructions

Item # L0781PIN

Item # L0781RED

Imported by: G.L.T.C. Ltd
47 Castle Street
Reading
Berkshire
RG1 7SR
UK



© 2011 KidKraft, LP

Please retain this information for future reference

Complete

