



Avalon Desk with Hutch

Assembly Instructions

© 2007 KidKraft, LP

Item #26705C White, 26706B Honey

Please retain this information for future reference

To order replacement parts, please visit www.kidkraft.com

HARDWARE:

- A. Hex Bolt x 2 pcs (40mm, 1 1/2 in)
- B. Threaded Rod x 4 pcs Ø5mm (60mm, 2 3/8 in)
- C. Hex Bolt x 2 pcs (75mm, 3 in)
- D. Washer x 16 pcs
- E. Lock Washer x 16 pcs
- F. Small Nut x 4 pcs
- G. Small Bolt Anchor x 2 pcs
- H. Threaded Rod x 8 pcs Ø6mm (75mm, 3 in)
- I. Large Bolt Anchor x 4 pcs
- J. Large Nut x 8 pcs
- K. Wood Dowel x 2 pcs
- L. Shelf Peg x 8 pcs
- M. Cross Dowel Bolt x 4 pcs (40mm, 1 1/2 in)
- N. Cross Dowel Nut x 4 pcs

Allen Wrench x 1 pc

Wrench x 2 pcs

The following tool (not included) is required for assembly:

Phillips® screwdriver

PARTS LIST:

Step 1 Chair Assembly

Step 2

Step 3

*Repeat for part 4

Step 4

Step 5

Step 1 Desk Assembly

*Repeat for other 3 legs

WARNING:
ADULT ASSEMBLY REQUIRED. Product includes small parts with potentially hazardous sharp points and sharp edges in the unassembled state. Keep unassembled parts away from children.

USE AND MAINTENANCE:
-Use on level surfaces only
-Please check assembly at regular intervals, and frequently tighten hardware if necessary. If maintenance is not carried out, the product could cease to function properly.

WARNING:
CHOKING HAZARD. Small parts and sharp points, not suitable for children under 3 years.

Customer Service
1-800-933-0771
www.kidkraft.com



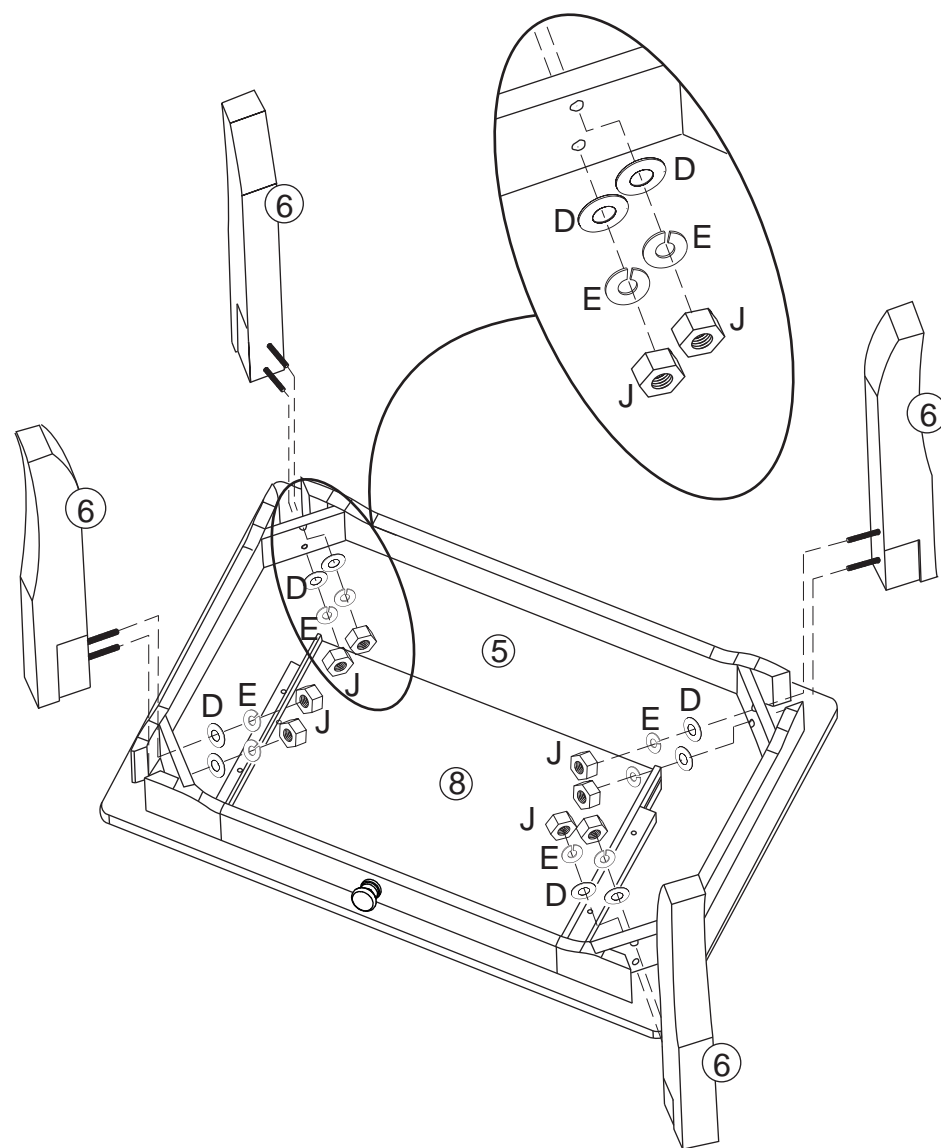
© 2007 KidKraft, LP

Avalon Desk with Hutch

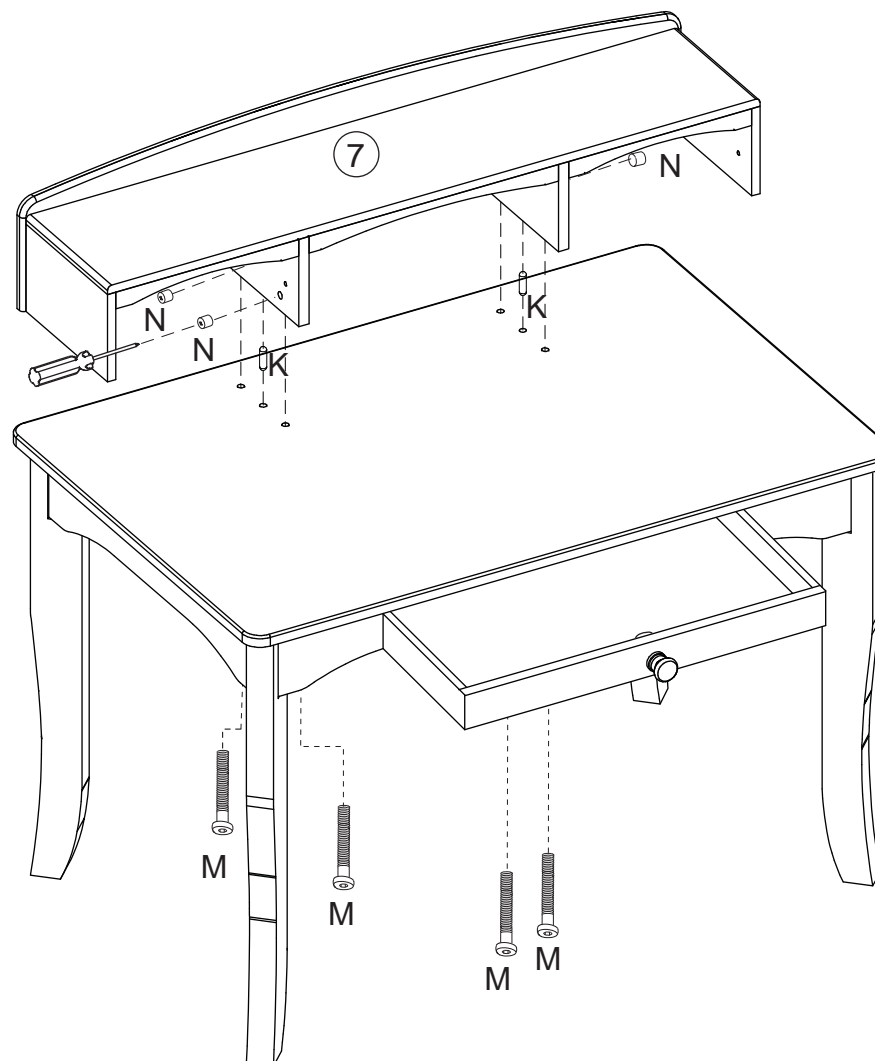
Assembly Instructions

Item #26705C White, 26706B Honey

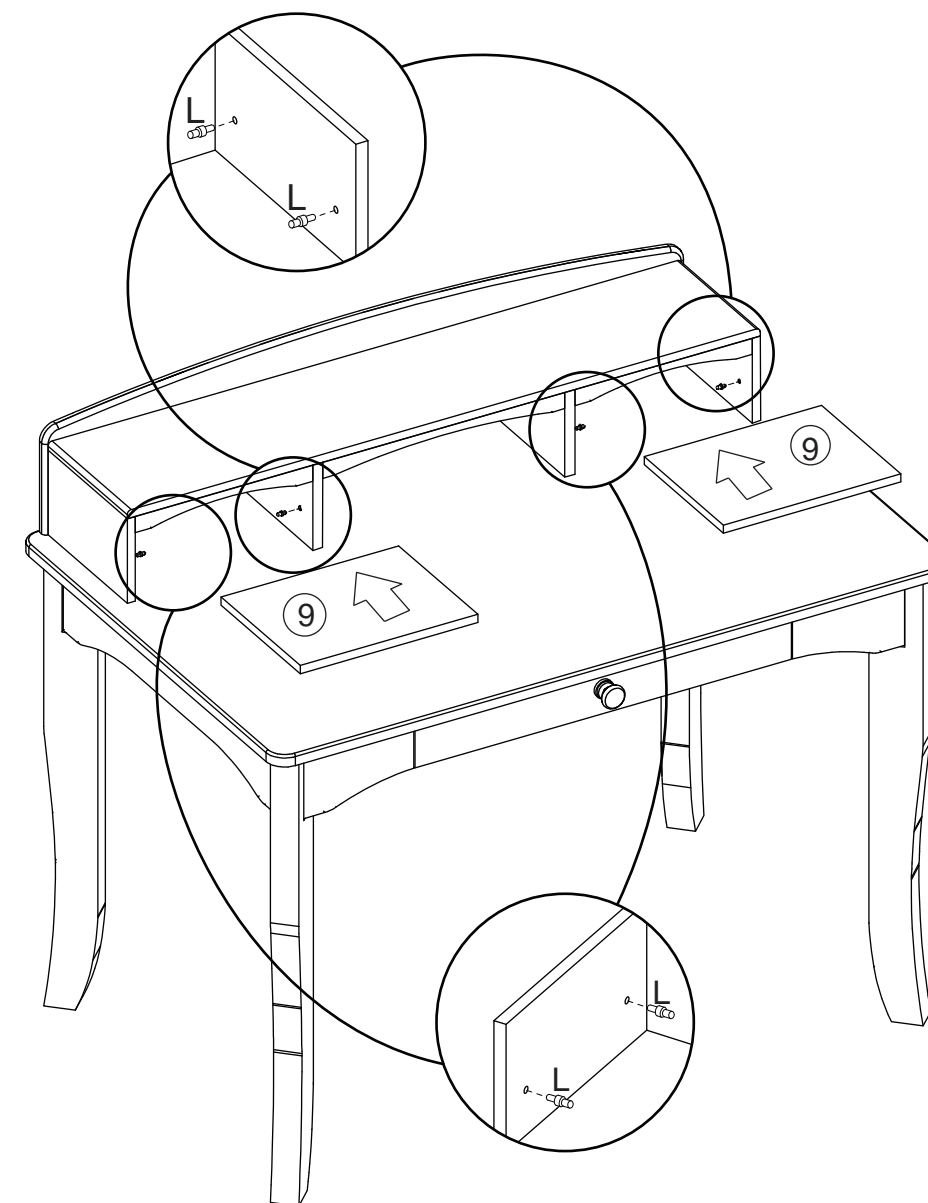
Step 2



Step 3



Step 4



Before calling customer service, please locate the batch code number (example: 2693/65006/04) found on the bottom or back of your product.

Customer Service
1-800-933-0771
www.kidkraft.com