



2-Slat Rocking Chair

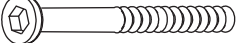


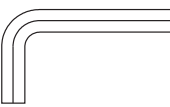
Assembly Instructions

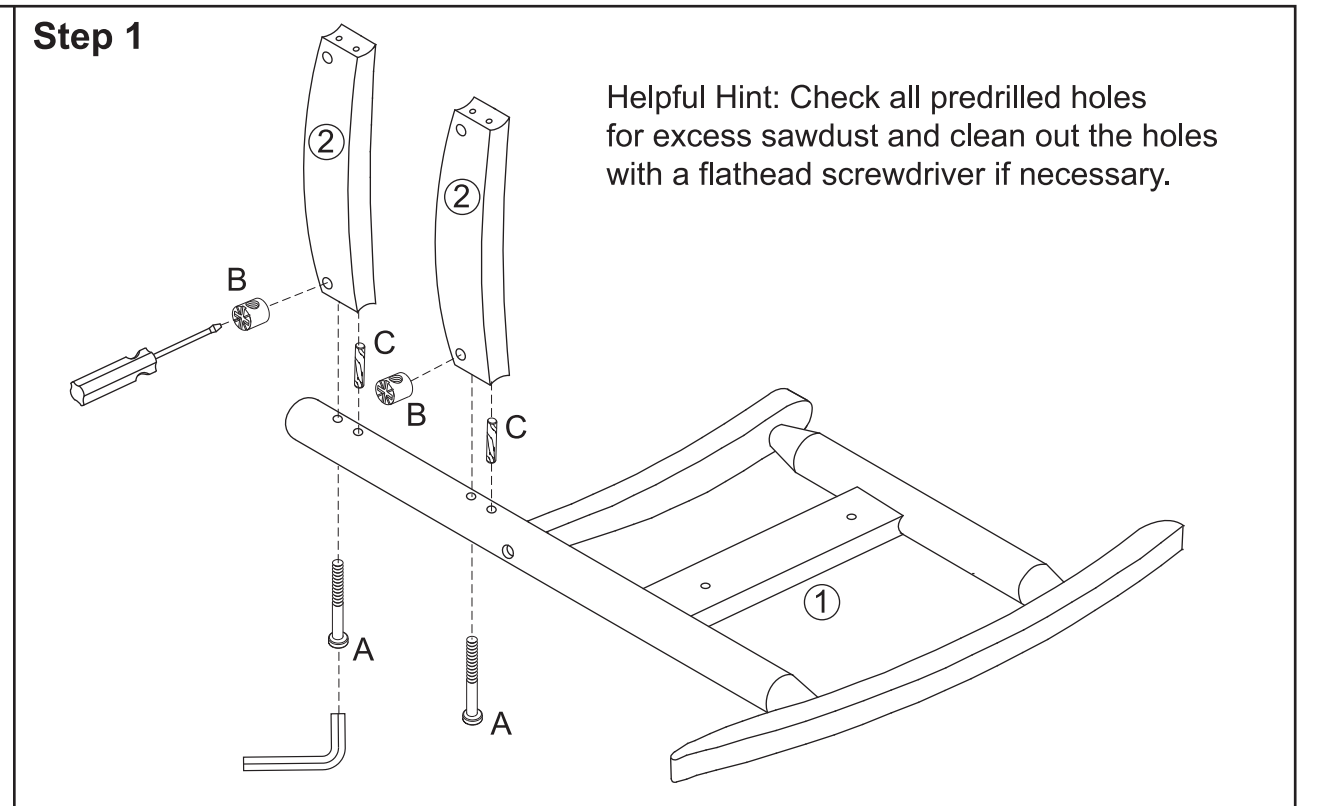
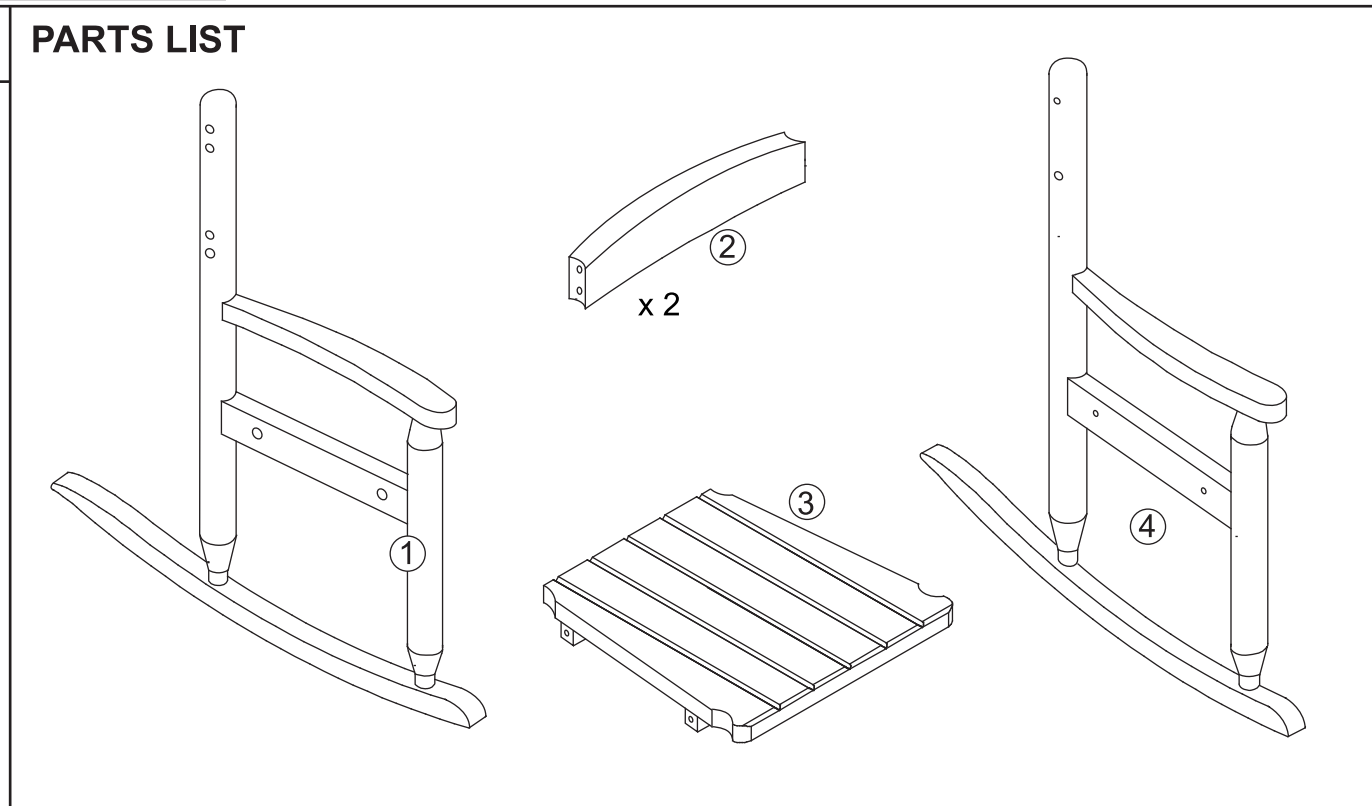
Item # 18102D, 18103D, 18104D,
18120E, 18121D, 18122D, 18123D,
18152B, 18153B, 18154B

© 2011 KidKraft, LP


Please retain this information for future reference

To order replacement parts, please visit www.kidkraft.com

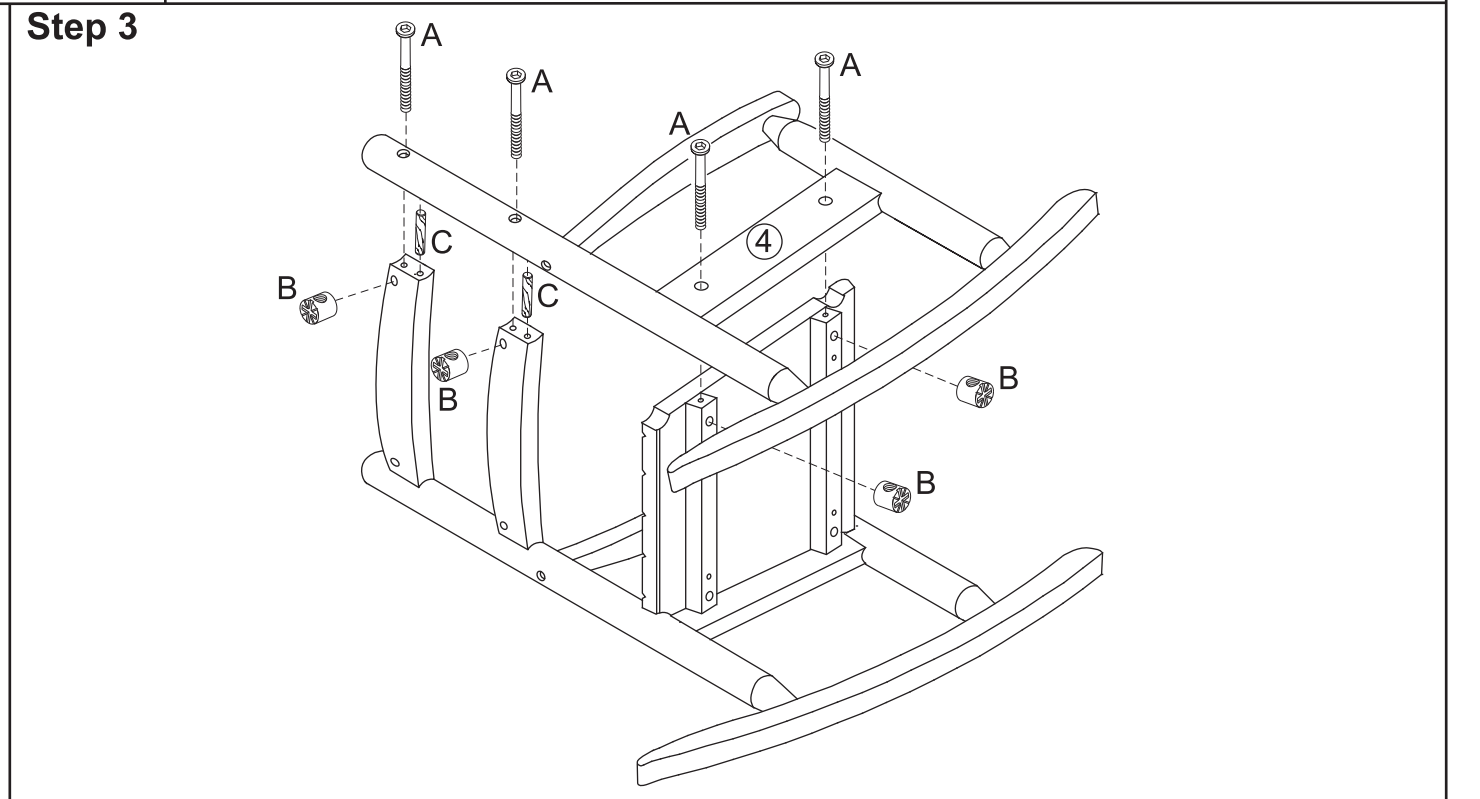
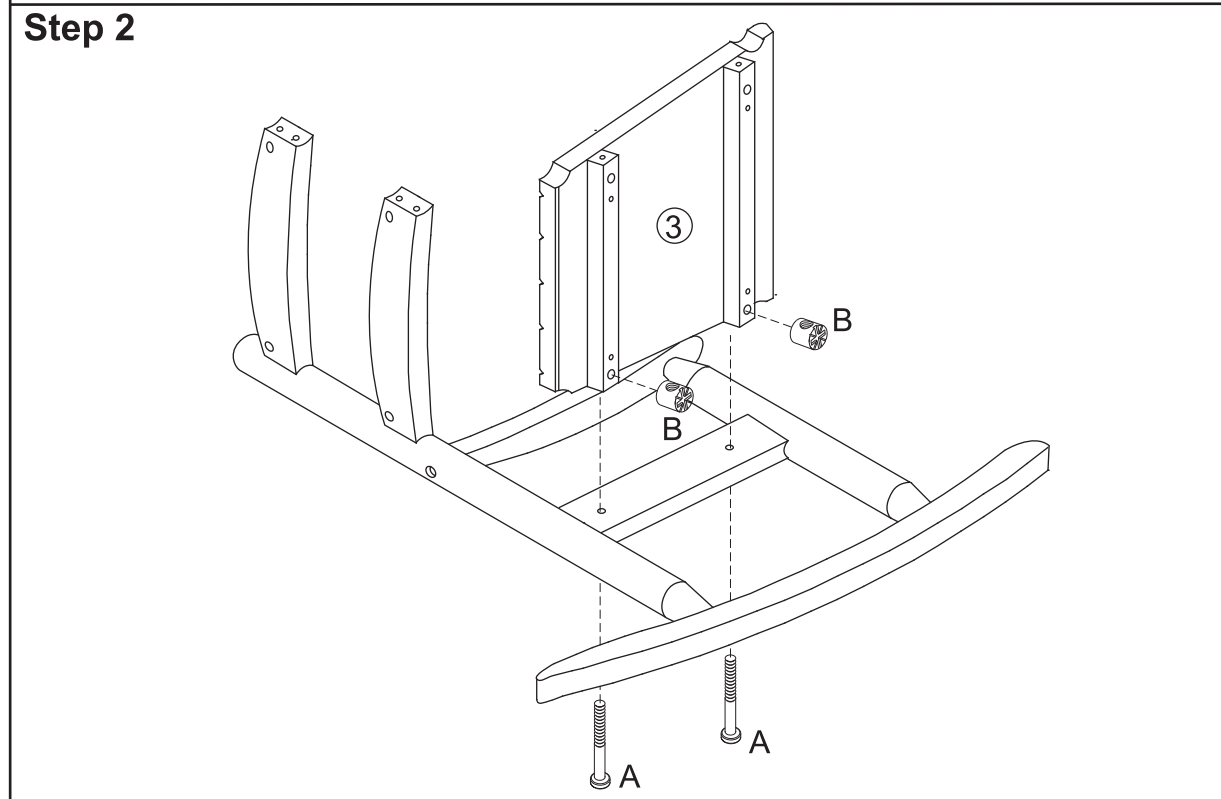
HARDWARE
A. Cross Dowel Bolt x 8 pcs  2 5/16 in / 59 mm
B. Cross Dowel Nut x 8 pcs 
C. Wood Dowel x 4 pcs 
Allen Wrench x1 pc 



The following tool (not included) is required for assembly:



Flathead Screwdriver



⚠ WARNING:
ADULT ASSEMBLY REQUIRED. Product includes small parts with potentially hazardous sharp points and sharp edges in the unassembled state. Keep unassembled parts away from children.
DO NOT TIGHTEN BOLTS UNTIL PRODUCT IS COMPLETELY ASSEMBLED!!

USE AND MAINTENANCE:
-Use on level surfaces only
-Please check assembly at regular intervals, and frequently tighten hardware if necessary. If maintenance is not carried out, the product could cease to function properly.

⚠ WARNING:
CHOKING HAZARD. Small parts and sharp points, not suitable for children under 3 years.

Before calling customer service, please locate the batch code number (example: 2693/65006/04) found on the bottom or back of your product.

Customer Service
1-800-933-0771
www.kidkraft.com