

# Avalon Chair

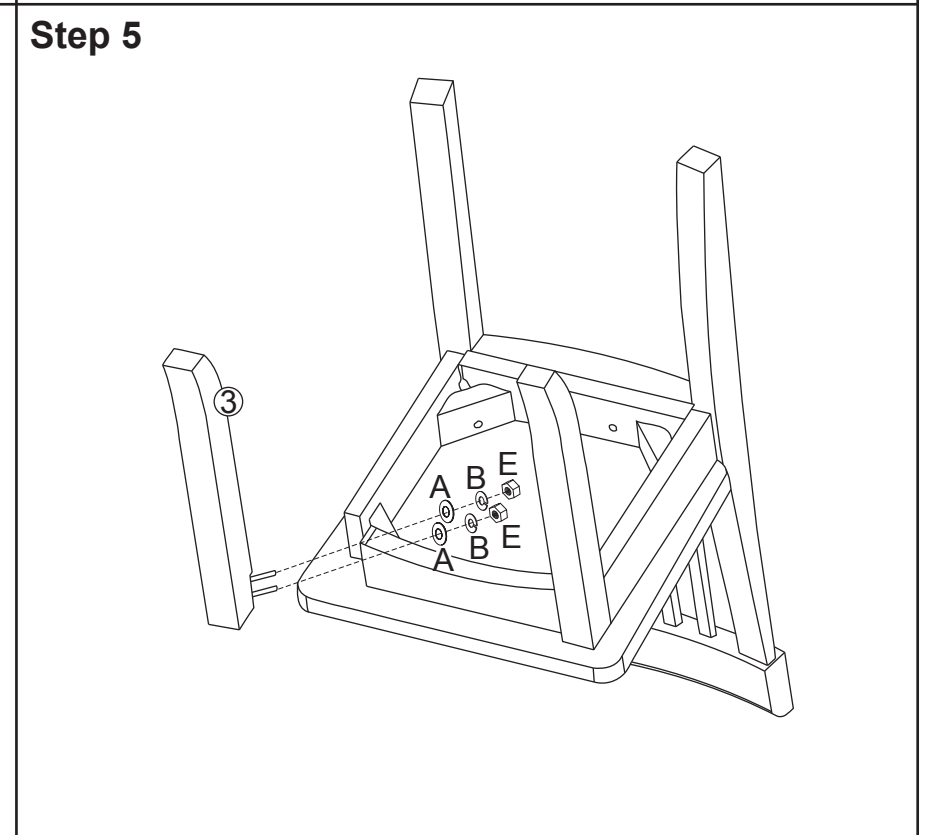
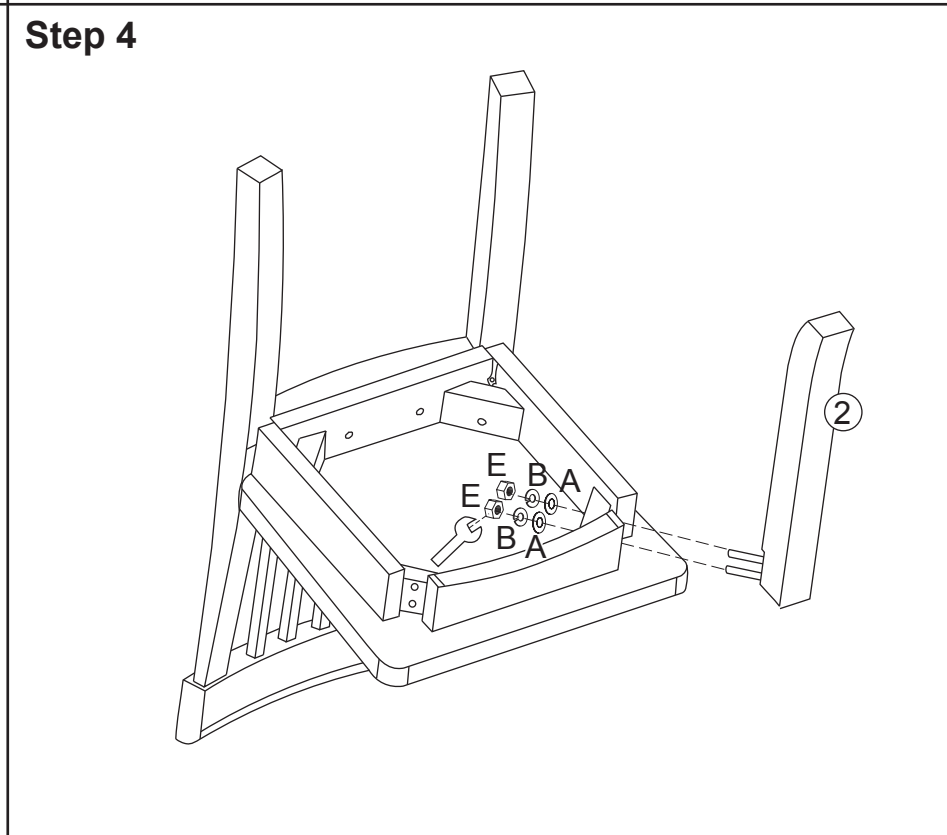
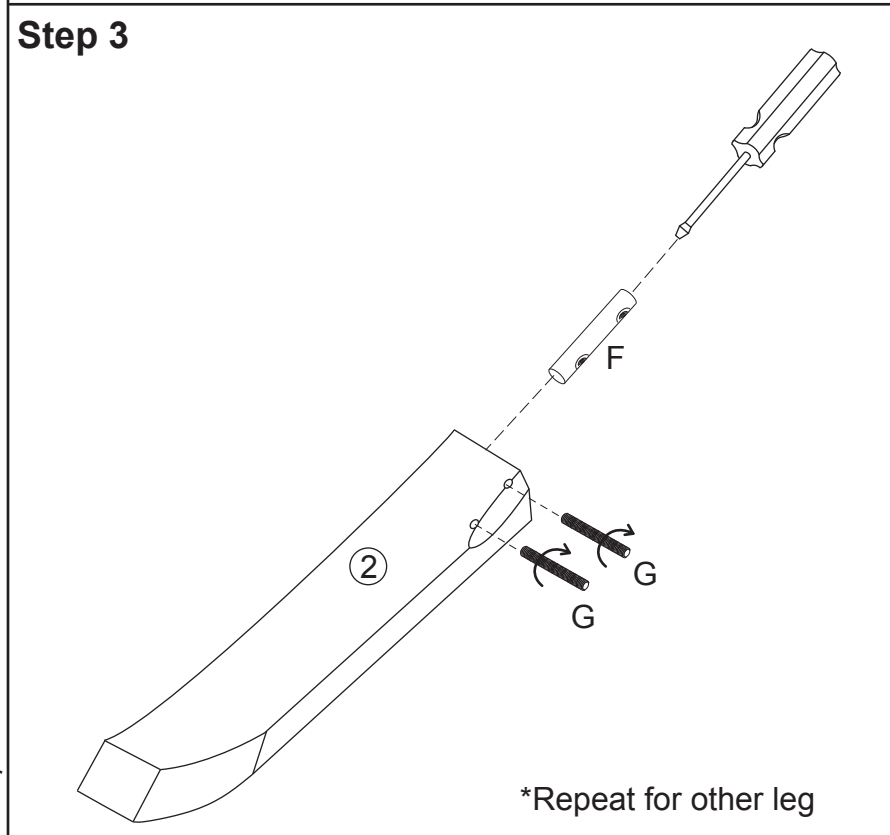
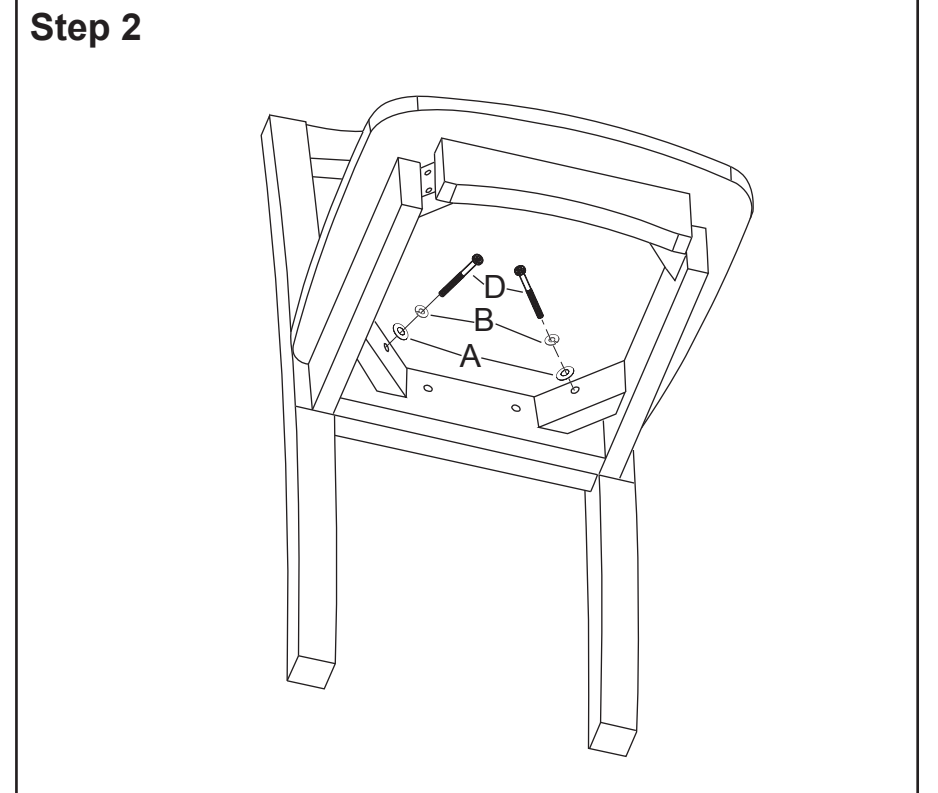
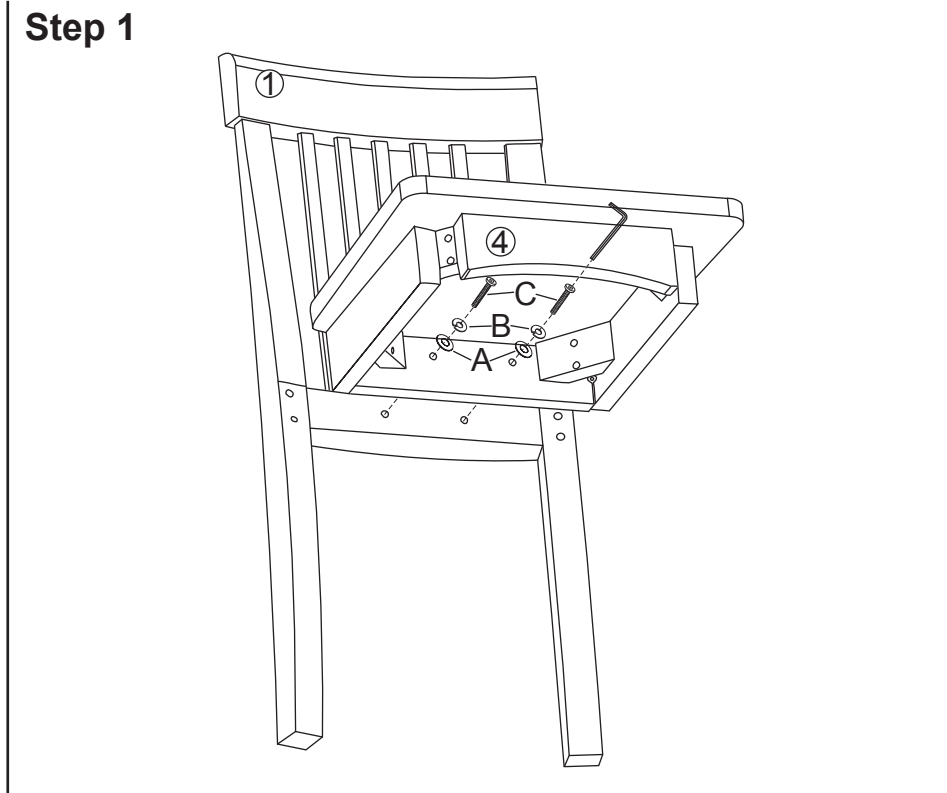
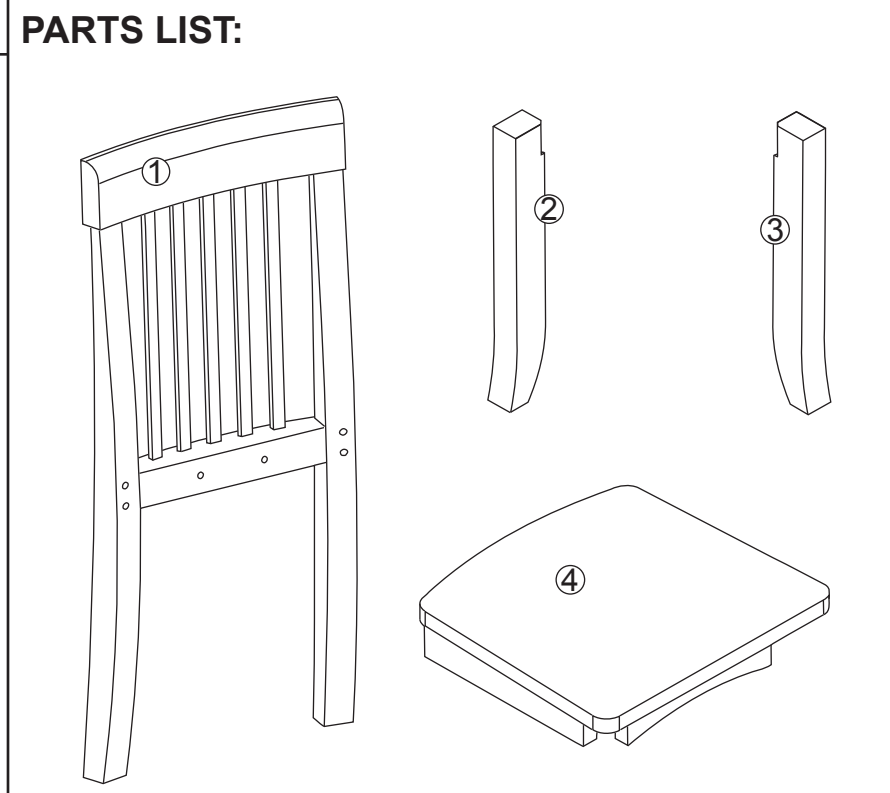
## Assembly Instructions

Item #16650, 16651, 16652, 16653,  
16654, 16615A, 16600B, 16613B,  
16614B, 16616B, 16617B, 16602C,  
16603C, 16609C, 16612C, 16630C,  
16632C, 16641C, 16601D, 16621D,

Please retain this information for future reference

To order replacement parts, please visit [www.kidkraft.com](http://www.kidkraft.com)

- HARDWARE:**
- A. Flat Washer x 8 pcs
  - B. Spring Washer x 8 pcs
  - C. Hex Bolt x 2 pcs  
  
(1 3/8 in, 35 mm)
  - D. Hex Bolt x 2 pcs  
  
(3 in, 75 mm)
  - E. Nut x 8 pcs
  - F. Bolt Anchor x 2 pcs
  - G. Threaded Rod x 4 pcs  
  
(2 5/16 in, 58 mm)
- Allen Wrench x 1 pc
- Wrench x 1 pc
- The following tool (not included) is required for assembly:
- Flathead Screwdriver



**CAUTION:** Adult Assembly Required. Hardware contains small screws with sharp points. Keep unassembled parts out of reach of small children.

**USE AND MAINTENANCE:**  
-Use on level surfaces only  
-Please check assembly at regular intervals, and frequently tighten hardware if necessary. If maintenance is not carried out, the product could cease to function properly

**WARNING: CHOKING HAZARD**  
Small parts and sharp points, not suitable for children under 3 years.

Before calling customer service, please locate the batch code number (example: 2693/65006/04) found on the bottom or back of your product.

**Customer Service**  
1-800-933-0771  
[www.kidkraft.com](http://www.kidkraft.com)