



## Experiencing problems with your new KidKraft product?

Before returning your product to the store or Internet retailer, please give us a chance to solve all your problems. **For fastest service, please visit [www.kidkraft.com](http://www.kidkraft.com)**, where you can order replacement parts under warranty free of charge, 24 hours a day. Our Dallas-based Customer Service team can be reached at 1-800-933-0771 and is available 8:30 a.m. to 5:00 p.m. Central Standard Time every Monday through Friday. We want nothing more than for our customers to be satisfied. If you have a question outside of our normal business hours, just leave a message and we will call you back as soon as possible.

- Are our assembly instructions confusing? Are you stuck on a step?

### **Please, let us help!**

- Are you missing a part? Do you need us to send a replacement part?

### **Please, let us help!**

- Did a part arrive broken? Do you need us to send a replacement?

### **Please, let us help!**

- Does the item you received differ in any way from what was ordered?

### **Please, let us help!**

At KidKraft, customer satisfaction is our top priority. Thank you for your business.

David Barr  
Executive Vice President

KidKraft  
4630 Olin Road  
Dallas Texas 75244  
[www.kidkraft.com](http://www.kidkraft.com)  
Toll Free: 1.800.933.0771  
Tel: 972.385.0100  
Fax: 972.385.0277

Before calling customer service, please have your item's batch code ready.  
This is your batch code:

If your batch code is not listed here, you can find it on the back or bottom of your product.  
(example batch code:105906/65006/04)



IMPORTANT! DO NOT  
TIGHTEN SCREWS OR  
BOLTS UNTIL COMPLETELY  
ASSEMBLED.

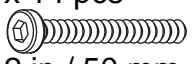
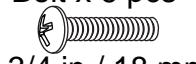


# Austin Toy Box

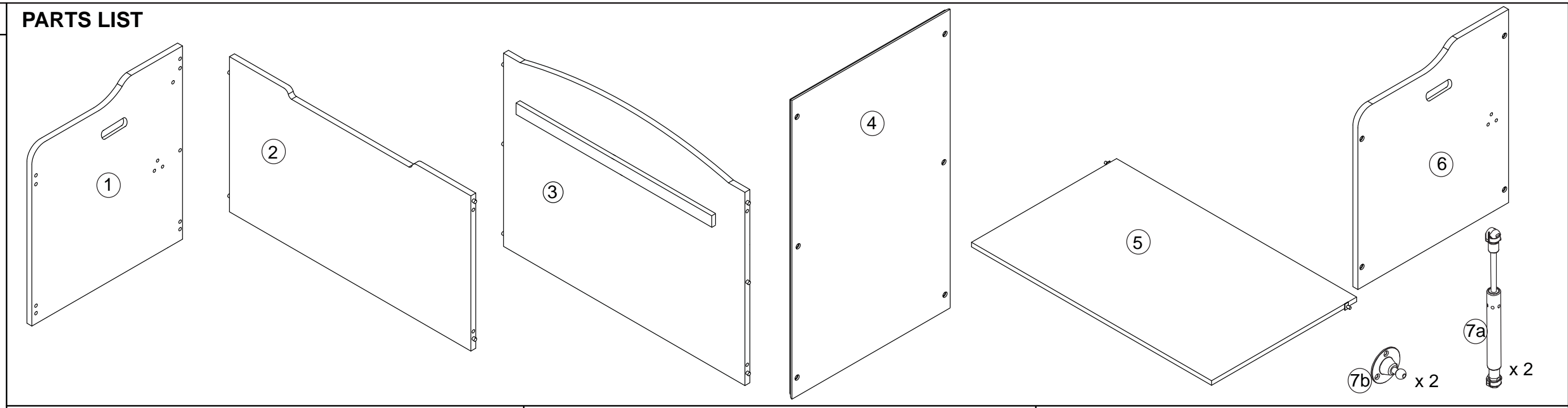
Item #14951C White, 14953C Natural, 14954B Honey,  
14955A Cherry, 14956B Espresso, 14957A Pink, 14958B Vanilla,  
14959A Blueberry, 14960A Bubblegum, 14961A Red, 14962A Gray




© 2010 KidKraft, LP

Please retain this information for future reference

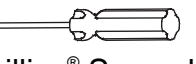
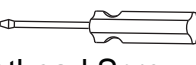
To order replacement parts, please visit [www.kidkraft.com](http://www.kidkraft.com)

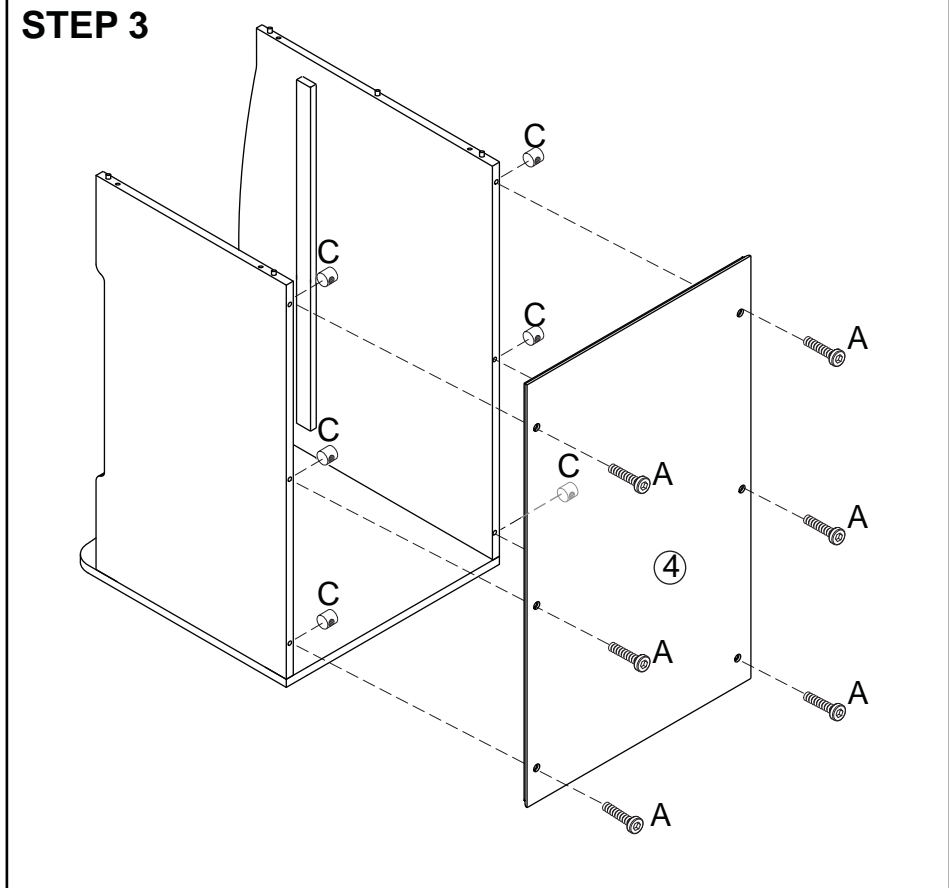
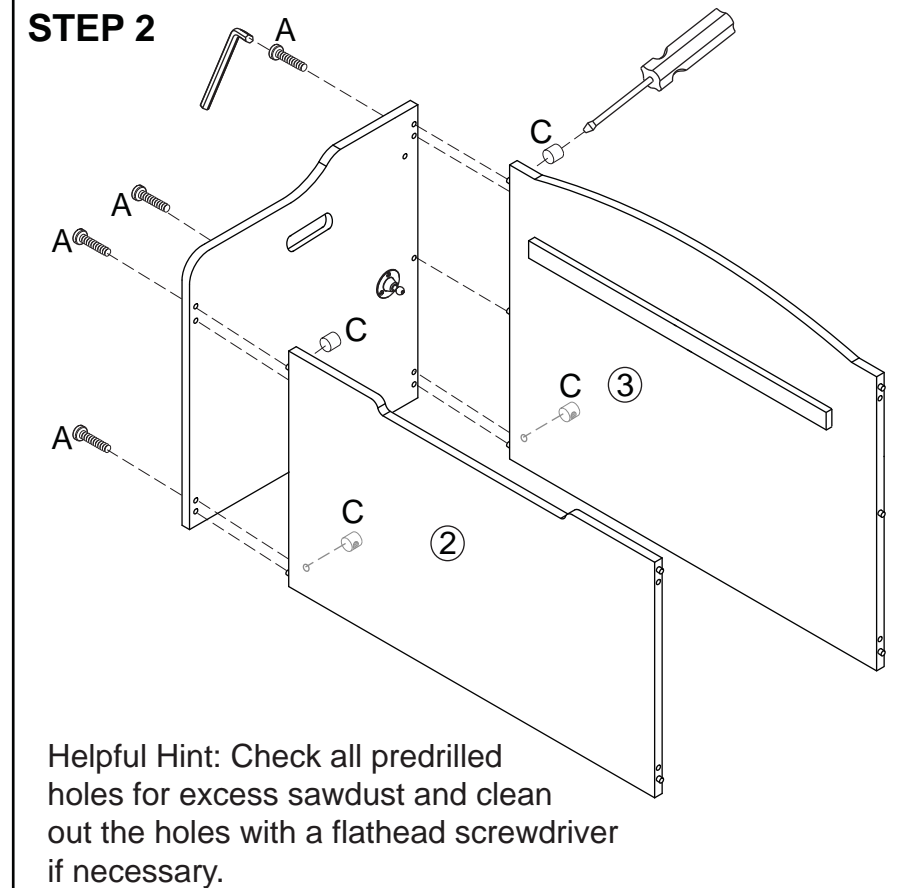
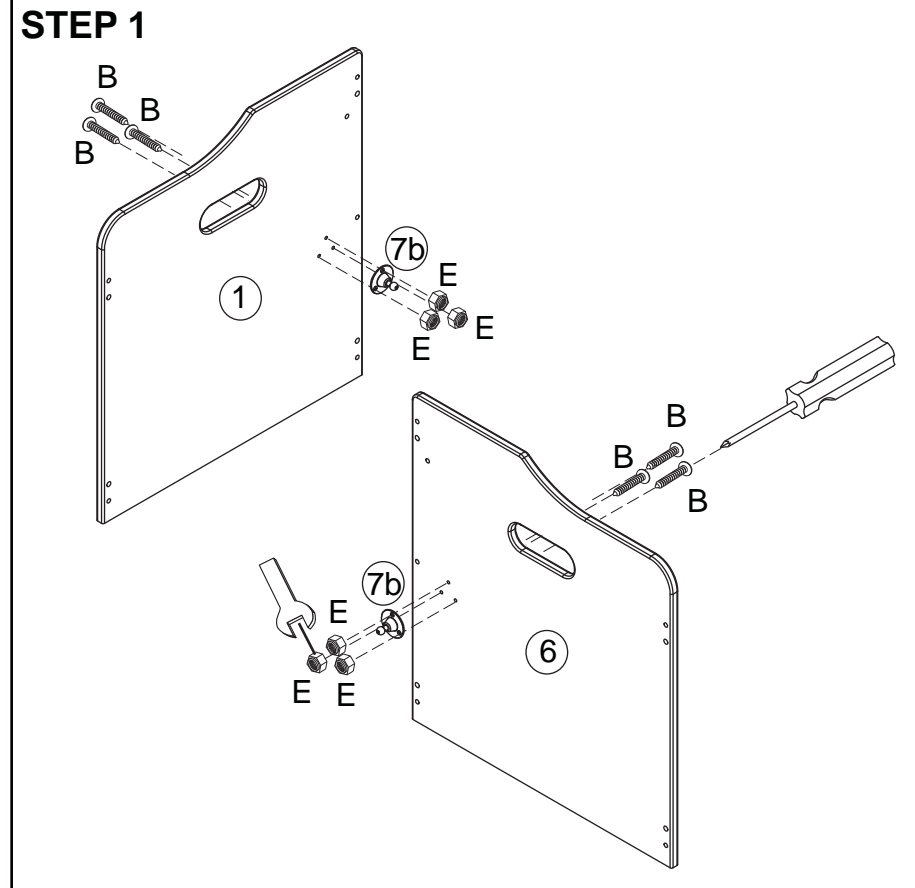
- HARDWARE**
- A. Cross Dowel Bolt  
x 14 pcs  
  
2 in / 50 mm
  - B. Bolt x 6 pcs  
  
3/4 in / 18 mm
  - C. Cross Dowel Nut  
x 14 pcs  

  - D. Nylon Washer  
x 2 pcs  




- E. Nylon Lock Nut  
x 6 pcs  

- Wrench x 1 pc  

- Allen Wrench x 1 pc  


The following tools  
(not included) are  
required for assembly:

-  Phillips® Screwdriver
-  Flathead Screwdriver



**⚠ WARNING:**  
ADULT ASSEMBLY REQUIRED.  
Product includes small parts with potentially hazardous sharp points and sharp edges in the unassembled state. Keep unassembled parts away from children.

**⚠ WARNING:**  
Do not allow children to play inside with lid closed. In certain situations, sufficient air may not be available for breathing.

**⚠ WARNING:**  
-Use on level surfaces only  
-Please check assembly at regular intervals, and frequently tighten hardware if necessary. If maintenance is not carried out, the product could cease to function properly.

**⚠ WARNING:**  
Lid support mechanism must be installed properly (Step 5) or a head/neck entrapment may exist. Check to make sure the Lid Support is properly installed by moving the lid back and forth. When you let go of the lid it should stop, not fall or slam shut.

**⚠ WARNING:**  
To protect children from suffocation or serious injury, immediately discontinue use if lid supports fail to function properly. Contact KidKraft customer service for a pair of new lid supports.

**Customer Service**  
1-800-933-0771  
[www.kidkraft.com](http://www.kidkraft.com)

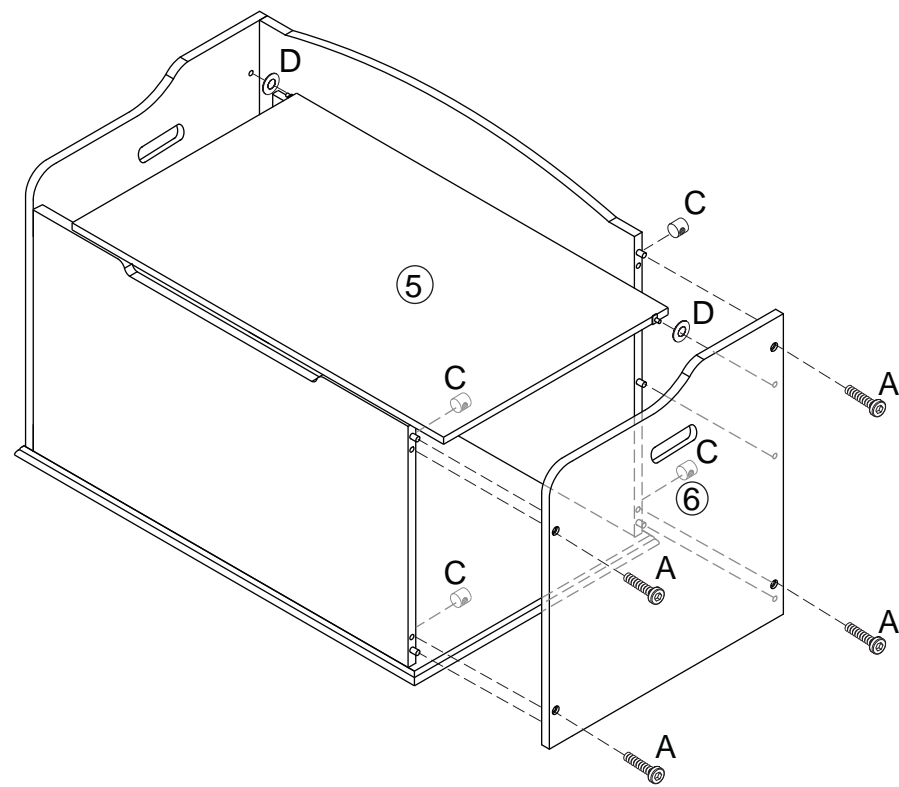


# Austin Toy Box

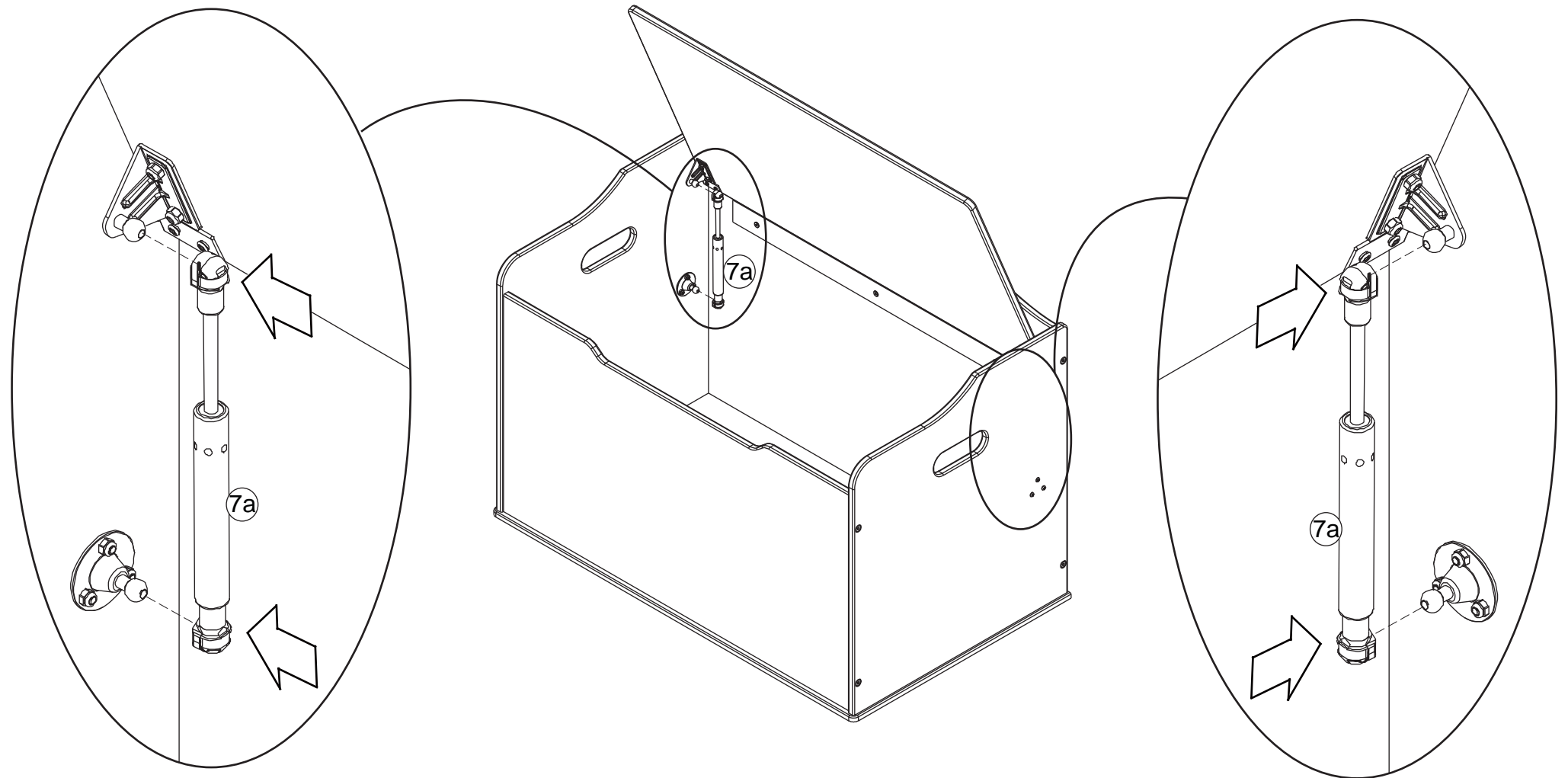
## Assembly Instructions

Item #14951C White, 14953C Natural, 14954B Honey,  
14955A Cherry, 14956B Espresso, 14957A Pink, 14958B Vanilla,  
14959A Blueberry, 14960A Bubblegum, 14961A Red, 14962A Gray

### STEP 4



### STEP 5



Lid Support ball and socket joint assembly:  
Push lid support socket onto the brackets  
until they click into place.

Before calling customer service, please locate the batch code number (example: 105906/65006/04) found on the bottom or back of your product.

**WARNING!** Lid supports contain nitrogen under pressure. Do not open, puncture or expose to heat source. Dispose of properly.

**Customer Service**  
1-800-933-0771  
[www.kidkraft.com](http://www.kidkraft.com)



Warning: This is intended for children of a specific age or above. Keep children younger than the specified age from using this item. Do not let children of any age climb on or around this item. Adult supervision is always recommended.

## **IMPORTANT INFORMATION - PLEASE READ FIRST**

ALL OF OUR WOODEN ITEMS ARE HANDCRAFTED, HAND ASSEMBLED, AND HAND PAINTED. EACH ONE IS UNIQUE. SLIGHT IMPERFECTIONS MAY OCCUR AND ARE NOT MANUFACTURING DEFECTS.

PLEASE NOTE THAT WE DO NOT WARRANTY AGAINST THE USE OF PERMANENT MARKERS, NON-WATER-BASED PAINTS, CRAYONS, OR WASHABLE MARKERS. SOME OF THESE ITEMS CONTAIN PERMANENT COLOR DYES THAT COULD DAMAGE THE SURFACE.

## **CLEANING INSTRUCTIONS**

CLEAN THE SURFACE USING A SLIGHTLY DAMP CLOTH AND MILD DISH WASHING LIQUID IF NECESSARY. DO NOT USE ANY CLEANING PRODUCT CONTAINING ALCOHOL OR AMMONIA. THESE WILL DULL THE SHINY SURFACE OF THE PRODUCT. FURNITURE POLISH WILL ALSO WORK TO CLEAN AND DUST OFF THE SURFACE.

WE RECOMMEND THAT YOU TEST ALL CLEANING MATERIALS ON THE UNDERSIDE OF ANY SURFACE THAT WOULD NOT BE SEEN DURING NORMAL USE OF THE PRODUCT. IF YOU HAVE QUESTIONS REGARDING THE MAINTENANCE OF THIS PRODUCT PLEASE FEEL FREE TO CALL US.

## **SOLE AND LIMITED WARRANTY**

THIS PRODUCT IS WARRANTED SOLELY AGAINST MANUFACTURING DEFECTS FOR A PERIOD OF 90 DAYS FROM THE DATE OF PURCHASE, WHICH RUNS ONLY TO THE ORIGINAL USER OF THE PRODUCT. IN THE EVENT OF A MANUFACTURING DEFECT, PARTS WILL BE REPLACED OR THE ENTIRE PRODUCT WILL BE REPLACED OR THE PURCHASE PRICE WILL BE REFUNDED, AT THE ELECTION OF THE MANUFACTURER. TO ACTIVATE AND PROTECT THIS WARRANTY, PRESERVE EVIDENCE OF ORIGINAL PURCHASE AND CAREFULLY INSPECT THE CONDITION OF THE PRODUCT PRIOR TO AND AFTER ASSEMBLY, LOOKING FOR MISSING, DEGRADED, BROKEN, IMPROPERLY SIZED OR HAZARDOUS PARTS, INCLUDING PARTS WHICH CAN BE SWALLOWED BY A CHILD, CAUSE A CHILD TO CHOKE, OR OTHERWISE CAUSE INJURY. SUCH PARTS MAY INCLUDE LOOSE SCREWS, EXPOSED NAILS OR SHARP EDGES. SHOULD YOU OBSERVE ANY DEFECTS, DO NOT USE THE PRODUCT AND IMMEDIATELY NOTIFY THE MANUFACTURER. FAILURE TO DO SO SHALL CONSTITUTE MISUSE. MISUSE, IMPROPER ASSEMBLY, FAILURE TO HONOR A WARNING, FAILURE TO SUPERVISE, INSPECT OR MAINTAIN THE PRODUCT, OR DAMAGE TO THE PRODUCT, WHETHER INTENTIONAL OR INADVERTENT, SHALL INVALIDATE THIS WARRANTY. THIS WARRANTY GIVES YOU SPECIFIC LEGAL RIGHTS, AND YOU MAY ALSO HAVE OTHER RIGHTS WHICH VARY FROM STATE TO STATE.

TO SUBMIT A WARRANTY CLAIM PLEASE CONTACT KIDKRAFT CUSTOMER SERVICE AT 1-800-933-0771 FOR INSTRUCTIONS ON HOW TO PROVIDE PROOF OF PURCHASE AND HOW TO RETURN THE ITEM FREIGHT PRE-PAID.

**CUSTOMER SERVICE 1-800-933-0771**

**[www.kidkraft.com](http://www.kidkraft.com)**